

PARTS CATALOGUE

YZ426FP '02 (5SF4) S.AFRICA

YAMAHA
GENUINE
Parts & Accessories

2A5SF-100E1



A2

FOREWORD

This Parts Catalogue is related to the parts for the model(s) in the below frame. When you are ordering replacement parts, please refer to this Parts Catalogue and quote both part numbers and part names correctly.

YZ426FP(5SF1,5SF4)/YZ426F(5SF2,5SF3)

1. Modifications or additions which have been made after issue of the Parts Catalogue will be announced in the Yamaha Parts News.
It is advisable that you make necessary corrections to the Parts Catalogue according to the Yamaha Parts News.

2. Abbreviations
The Following abbreviations are used in this Parts Catalogue.

"UR" Use specified parts number.

"UN" Use as many as needed.

"AP" Alternate Parts

"LM" Local Made (Parts need to be ordered locally)

"F#" Frame No. (Applicable machine No.)

3. Parts, which are to be supplied in an assembly, are listed with a dot(.) in front of the part name as shown below.

EXAMPLE

CARBURETOR ASSY

.JET, PILOT

.NOZZLE, MAIN

4. Number of component for assembly
The numeral appearing to the right of each component part indicates the quantity of parts for each assembly unit.

EXAMPLE

PART NO.	DESCRIPTION	Q'TY	REMARKS
2F5-83310-60	FRONT FLASHER LIGHT ASSY	2	
115-83311-60	.BULB (6V-18W)	1	
1M1-83309-60	.REFLECTOR	1	

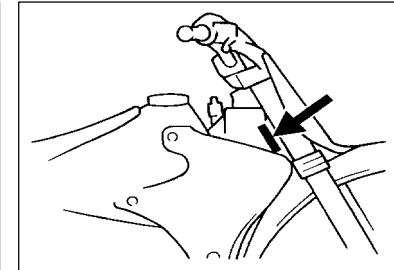
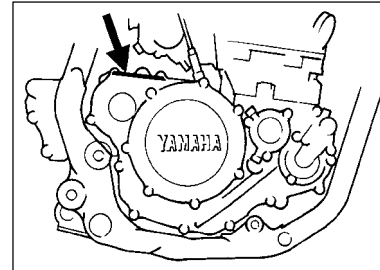
5. Applicable colors of graphics are represented in the "REMARKS" as shown below.

PART NO.	DESCRIPTION	Q'TY	REMARKS
2N4-24110-00-X5	.FUEL TANK COMP.	2	MXR
3J1-24240-10	.GRAPHIC, FUEL TANK	1	for MXR

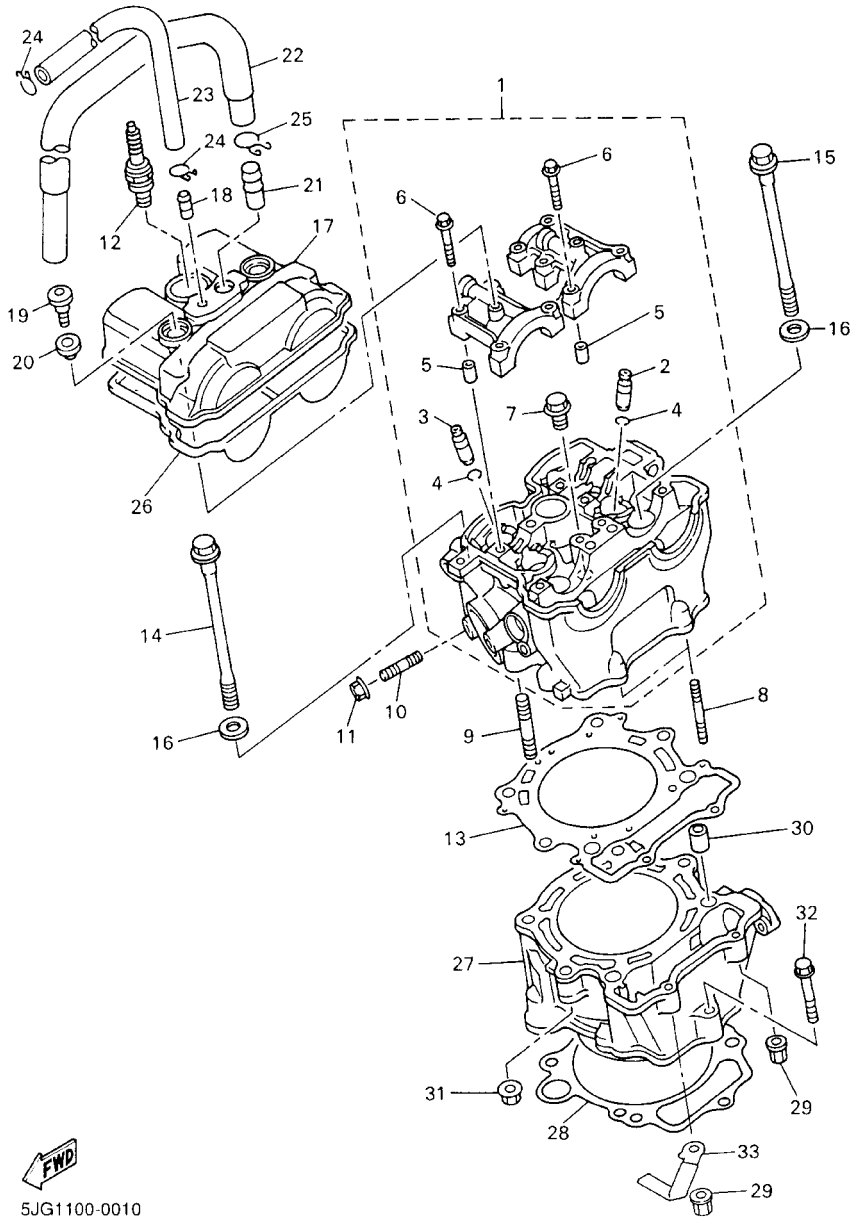
6. Applicable Serial No.

Engine Serial No.

Frame Serial No.



7. Note that the illustrations for reference in finding parts numbers, not to be used for assembling. When assembling, please use the applicable service manual.
8. The asterisk (*) before a reference number indicates modification items after the first edition.



5JG1100-0010

FIG. 1 CYLINDER

REF. NO.	PART NO.	DESCRIPTION	SSF1	SSF2	SSF3	SSF4	REMARKS
1	5JG-11102-20	CYLINDER HEAD ASSY	1	1	1	1	
2	5BE-11133-10	.GUIDE, INTAKE VALVE	3	3	3	3	
3	5BE-11134-10	.GUIDE, EXHAUST VALVE	2	2	2	2	
4	93440-10153	.CIRCLIP	5	5	5	5	
5	91808-16023	.PIN, DOWEL	4	4	4	4	
6	90105-06027	.BOLT, FLANGE	10	10	10	10	
7	90340-12112	.PLUG, STRAIGHT SCREW	1	1	1	1	
8	95617-06635	BOLT, STUD	2	2	2	2	
9	95617-08635	BOLT, STUD	2	2	2	2	
10	95617-08620	BOLT, STUD	1	1	1	1	
11	95707-08500	NUT, FLANGE	1	1	1	1	
12	NGK-C8E-PK10	PLUG, SPARK (NGK CR8E)	1		1		U R STD
	010-CR9E-PK10	PLUG, SPARK (NGK R CR9E)	1	1		1	AP
13	5JG-11181-00	GASKET, CYLINDER HEAD 1	1	1	1	1	
14	90105-104A7	BOLT, FLANGE	2	2	2	2	
15	90105-106A3	BOLT, FLANGE	2	2	2	2	
16	90201-101A4	WASHER, PLATE	4	4	4	4	
17	5BE-11191-00	COVER, CYLINDER HEAD 1	1	1	1	1	
18	5BE-11167-00	PIPE, BREATHER 2	1	1	1	1	
19	90109-066F0	BOLT	2	2	2	2	
20	4KG-1111G-00	RUBBER, MOUNT 1	2	2	2	2	

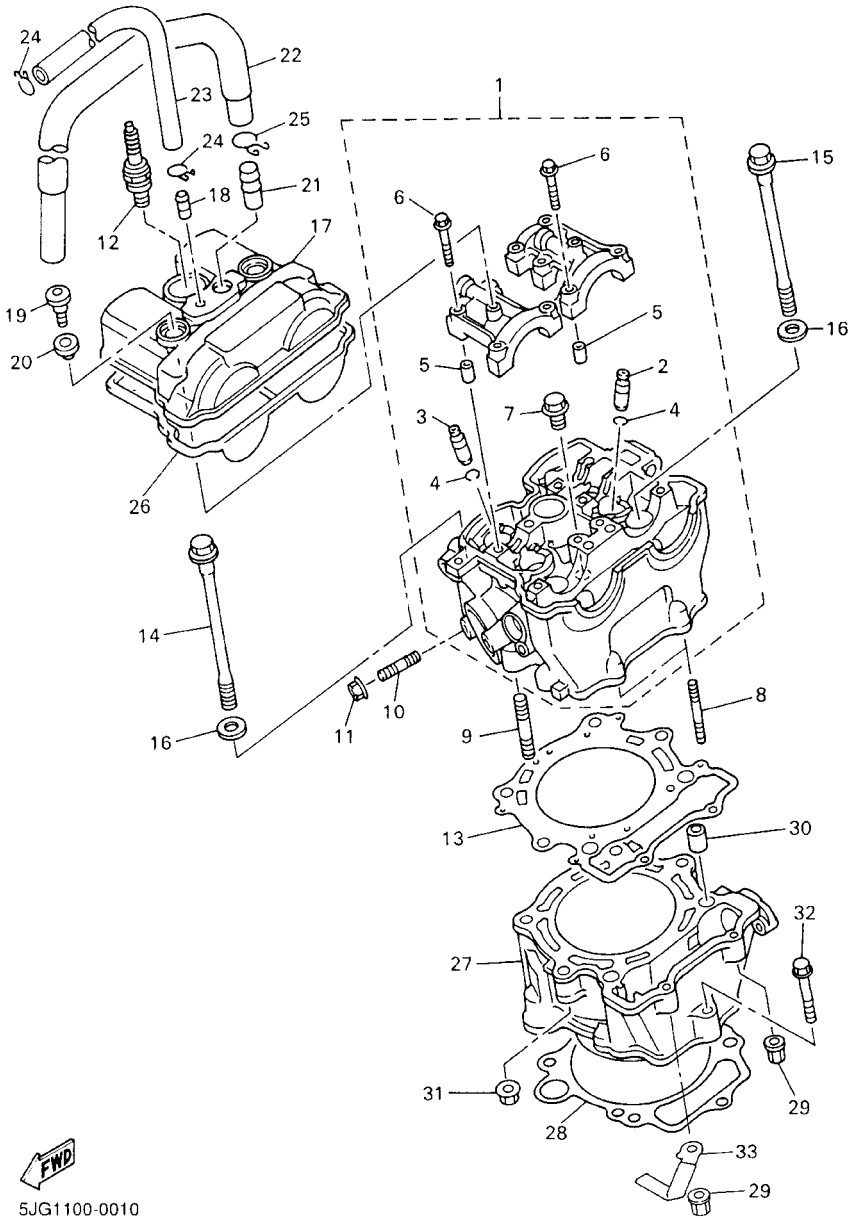


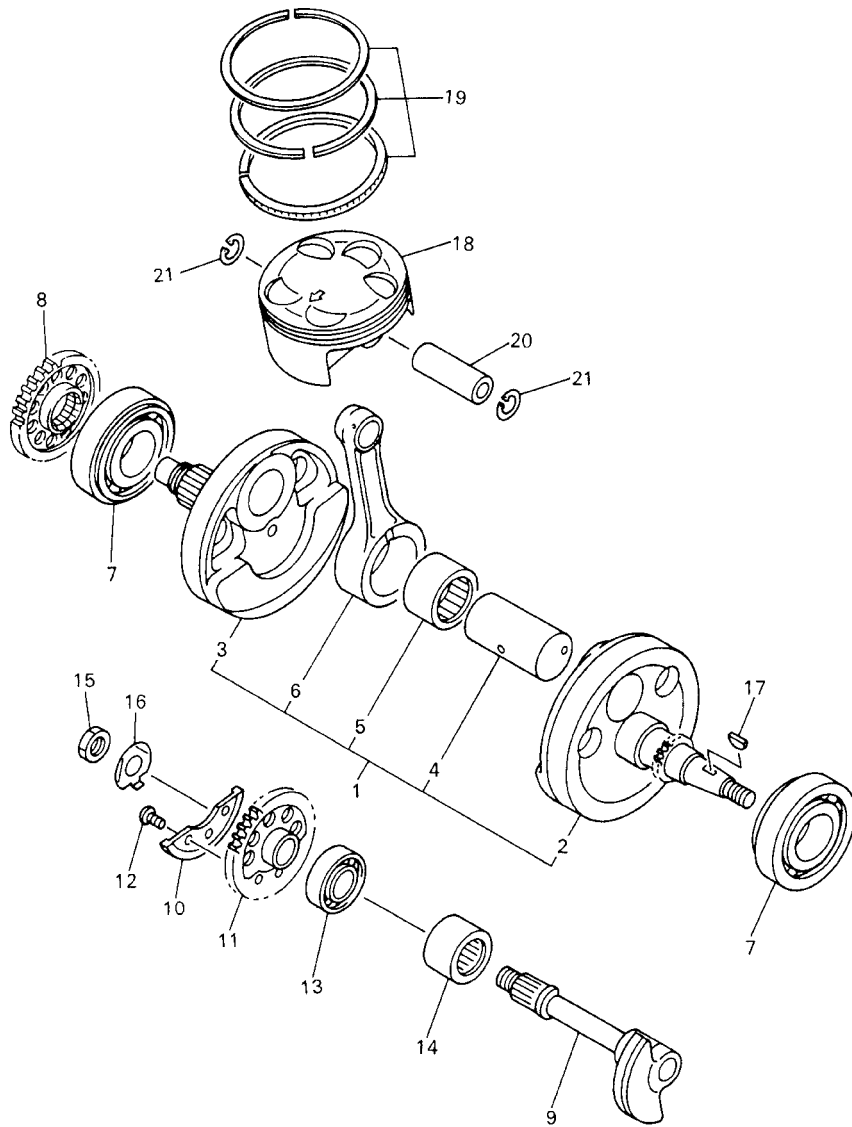
FIG. 1 CYLINDER

REF. NO.	PART NO.	DESCRIPTION	SSF1	SSF2	SSF3	SSF4	REMARKS
21	371-11167-01	PIPE, BREATHER 2	1	1	1	1	
22	5BE-11166-00	PIPE, BREATHER 1	1	1	1	1	
23	90445-112K0	HOSE (L285)	1	1	1	1	
24	90467-11106	CLIP	2	2	2	2	
25	90467-14015	CLIP	1	1	1	1	
26	5BE-11193-10	GASKET, HEAD COVER 1	1	1	1	1	
27	5JG-11311-00	CYLINDER 1	1	1	1	1	
28	5BE-11351-00	GASKET, CYLINDER	1	1	1	1	
29	90179-06500	NUT	2	2	2	2	
30	93612-16254	PIN, DOWEL	2	2	2	2	
31	90179-08270	NUT	2	2	2	2	
32	95027-06040	BOLT, FLANGE	1	1	1	1	
33	5JG-11387-00	CLAMP, HOSE 1	1	1	1	1	



5JG1100-0010

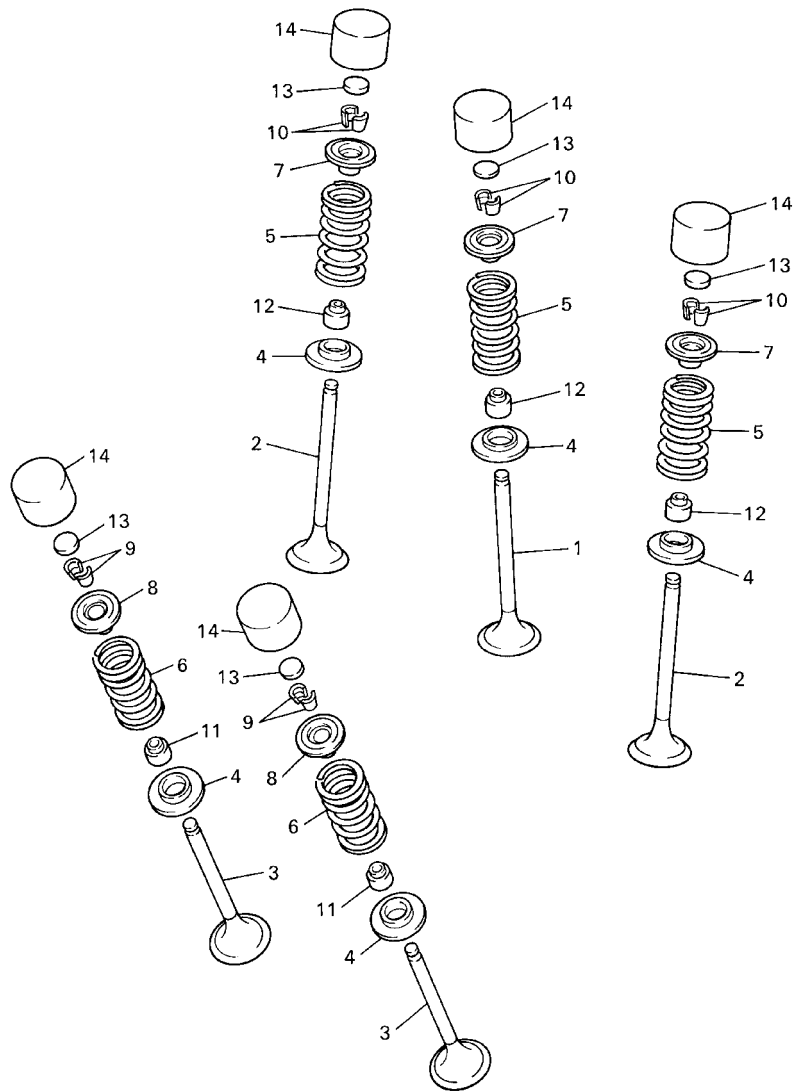
FIG. 2 CRANKSHAFT. PISTON



REF. NO.	PART NO.	DESCRIPTION	5SF1	5SF2	5SF3	5SF4	REMARKS
1	5JG-11400-20	CRANKSHAFT ASSY	1	1	1	1	
2	5JG-11412-10	.CRANK 1	1	1	1	1	
3	5JG-11422-10	.CRANK 2	1	1	1	1	
4	5BE-11681-00	.PIN, CRANK 1	1	1	1	1	
5	93310-634B0	.BEARING	1	1	1	1	
6	5JG-11651-10	.ROD, CONNECTING	1	1	1	1	
7	93306-30633	BEARING	2	2	2	2	
8	5JG-11536-00	GEAR, DRIVE	1	1	1	1	
9	5BE-11455-00	SHAFT 1	1	1	1	1	
10	5BE-11454-00	WEIGHT 1	1	1	1	1	
11	5BE-11531-00	GEAR, BALANCE WT	1	1	1	1	
12	90149-06250	SCREW	3	3	3	3	
13	93306-20335	BEARING	1	1	1	1	
14	93311-62574	BEARING	1	1	1	1	
15	90170-14171	NUT	1	1	1	1	
16	90215-14204	WASHER, LOCK	1	1	1	1	
17	90280-03001	KEY, WOODRUFF	1	1	1	1	
18	5NG-11631-10	PISTON (STD)	1	1	1	1	
19	5JG-11603-00	PISTON RING SET (STD)	1	1	1	1	
20	5JG-11633-00	PIN, PISTON	1	1	1	1	
21	93420-19084	CIRCLIP	2	2	2	2	



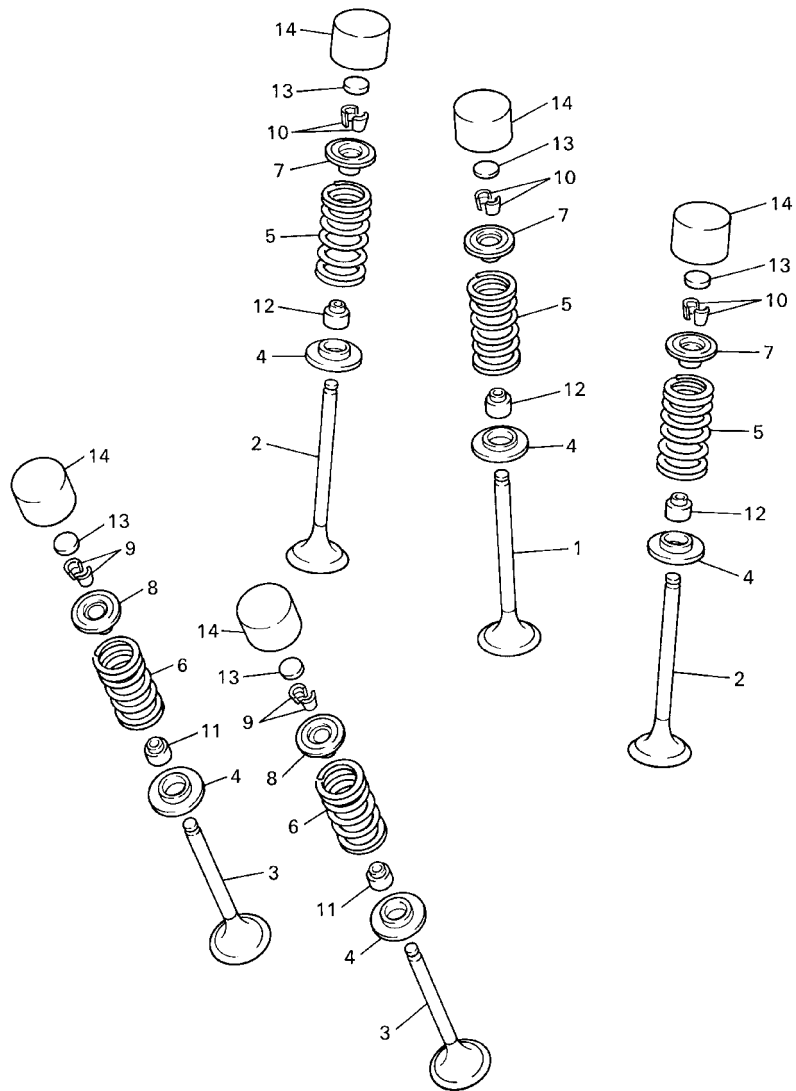
5JG5100-1020



5BE100-8030

FIG. 3 VALVE

REF. NO.	PART NO.	DESCRIPTION	SSF1	SSF2	SSF3	SSF4	REMARKS
1	5JG-12111-00	VALVE, INTAKE	1	1	1	1	
2	5JG-12112-00	VALVE, INTAKE 2	2	2	2	2	
3	5JG-12121-00	VALVE, EXHAUST	2	2	2	2	
4	3GM-12126-00	SEAT, VALVE SPRING 2	5	5	5	5	
5	5JG-12113-00	SPRING, VALVE INNER	3	3	3	3	
6	5JG-12114-00	SPRING, VALVE OUTER	2	2	2	2	
7	5BE-12117-00	RETAINER, VALVE SPRING	3	3	3	3	
8	4GY-12117-00	RETAINER, VALVE SPRING	2	2	2	2	
9	1AA-12118-00	COTTER, VALVE	4	4	4	4	
10	1WG-12118-00	COTTER, VALVE	6	6	6	6	
11	33M-12119-00	SEAL, VALVE STEM	2	2	2	2	
12	4SV-12119-00	SEAL, VALVE STEM	3	3	3	3	
13	3LD-12168-00	PAD, ADJUSTING (1.20)	5	5	5	5	UR
	3LD-12168-20	PAD, ADJUSTING (1.25)	5	5	5	5	UR
	3LD-12168-40	PAD, ADJUSTING (1.30)	5	5	5	5	UR
	3LD-12168-60	PAD, ADJUSTING (1.35)	5	5	5	5	UR
	3LD-12168-80	PAD, ADJUSTING (1.40)	5	5	5	5	UR
	3LD-12168-A0	PAD, ADJUSTING (1.45)	5	5	5	5	UR
	3LD-12168-F0	PAD, ADJUSTING (1.50)	5	5	5	5	UR
	3LD-12168-H1	PAD, ADJUSTING (1.55)	5	5	5	5	UR
	3LD-12168-K1	PAD, ADJUSTING (1.60)	5	5	5	5	UR
	3LD-12168-M1	PAD, ADJUSTING (1.65)	5	5	5	5	UR
	3LD-12168-R1	PAD, ADJUSTING (1.70)	5	5	5	5	UR
	3LD-12168-U1	PAD, ADJUSTING (1.75)	5	5	5	5	UR
	3LD-12168-W1	PAD, ADJUSTING (1.80)	5	5	5	5	UR
	3LD-12168-Y1	PAD, ADJUSTING (1.85)	5	5	5	5	UR
	3LD-12169-11	PAD, ADJUSTING (1.90)	5	5	5	5	UR

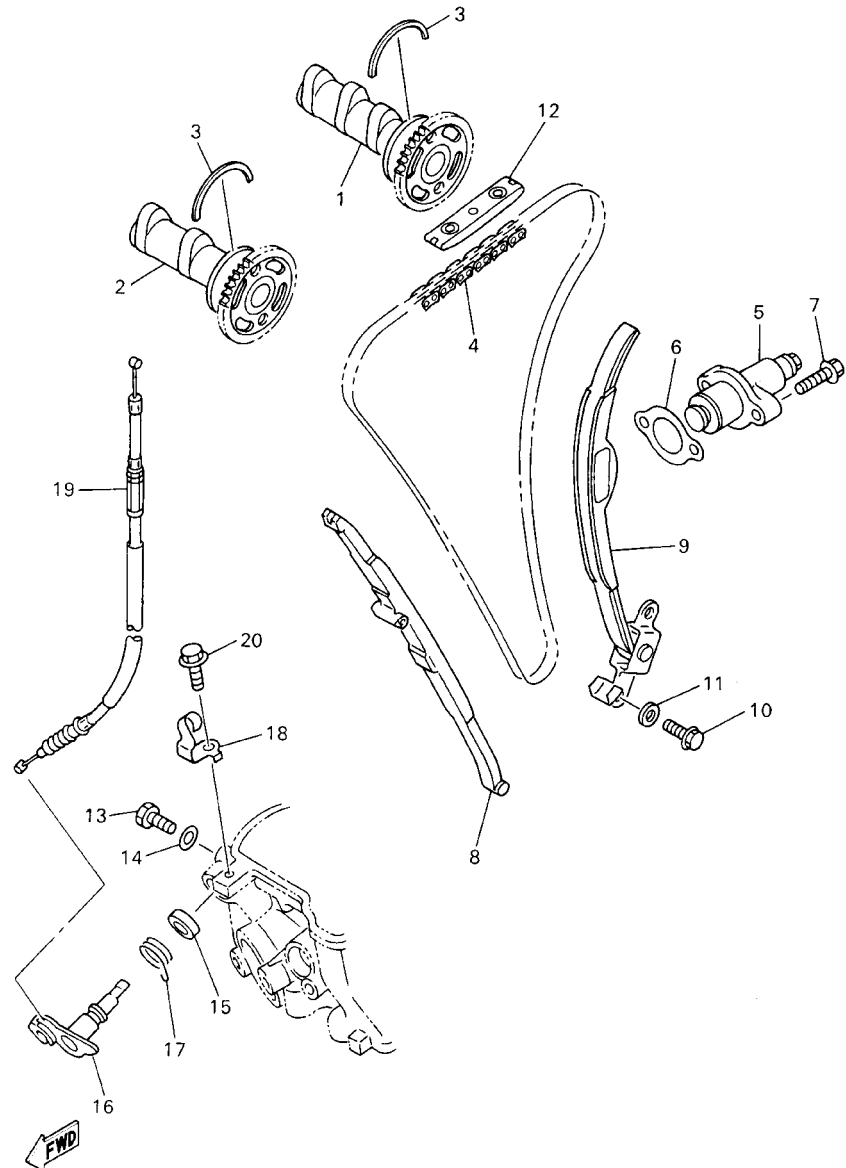


5BE100-8030

FIG. 3 VALVE

REF. NO.	PART NO.	DESCRIPTION	SSF1	SSF2	SSF3	SSF4	REMARKS
13	3LD-12169-31	PAD, ADJUSTING (1.95)	5	5	5	5	UR
	3LD-12169-50	PAD, ADJUSTING (2.00)	5	5	5	5	UR
	3LD-12169-70	PAD, ADJUSTING (2.05)	5	5	5	5	UR
	3LD-12169-90	PAD, ADJUSTING (2.10)	5	5	5	5	UR
	3LD-12169-E0	PAD, ADJUSTING (2.15)	5	5	5	5	UR
	3LD-12169-G0	PAD, ADJUSTING (2.20)	5	5	5	5	UR
	3LD-12169-J0	PAD, ADJUSTING (2.25)	5	5	5	5	UR
	3LD-12169-L0	PAD, ADJUSTING (2.30)	5	5	5	5	UR
	3LD-12169-N0	PAD, ADJUSTING (2.35)	5	5	5	5	UR
	3LD-12169-T0	PAD, ADJUSTING (2.40)	5	5	5	5	UR
14	3FV-12153-00	LIFTER, VALVE	5	5	5	5	UR BLACK
	3FV-12153-10	LIFTER, VALVE	5	5	5	5	UR YELLOW
	3FV-12153-20	LIFTER, VALVE	5	5	5	5	UR BLUE

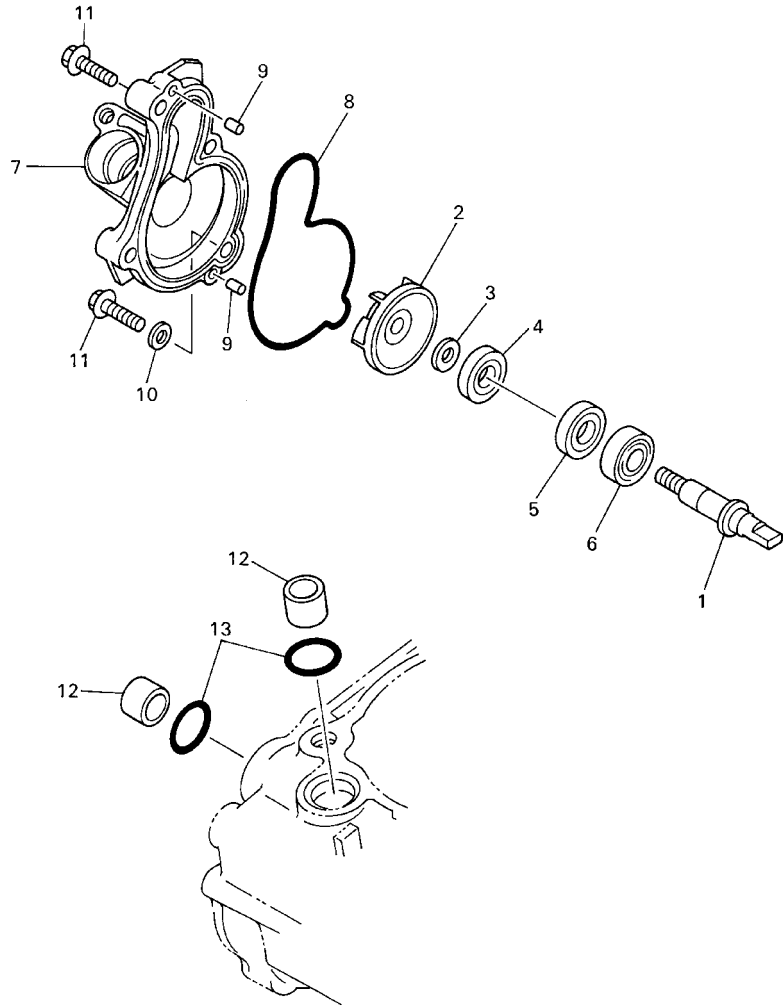
FIG. 4 CAMSHAFT. CHAIN



5JG1100-0040

REF. NO.	PART NO.	DESCRIPTION	SSF1	SSF2	SSF3	SSF4	REMARKS
1	5BE-12170-10	CAMSHAFT ASSY 1	1	1	1	1	
2	5BE-12180-01	CAMSHAFT ASSY 2	1	1	1	1	
3	93440-41178	CIRCLIP	2	2	2	2	
4	94591-50120	CHAIN	1	1	1	1	
5	5BE-12210-00	TENSIONER ASSY, CAM CHAIN	1	1	1	1	
6	4FM-12213-00	GASKET, TENSIONER CASE	1	1	1	1	
7	95027-06025	BOLT, FLANGE	2	2	2	2	
8	5BE-12251-10	DAMPER, CHAIN 1	1	1	1	1	
9	5BE-12252-00	DAMPER, CHAIN 2	1	1	1	1	
10	97027-06016	BOLT	2	2	2	2	
11	92907-06600	WASHER, PLATE	2	2	2	2	
12	5BE-12241-00	GUIDE, STOPPER 2	1	1	1	1	
13	90109-06418	BOLT	1	1	1	1	
14	90430-06014	GASKET	1	1	1	1	
15	93102-12224	OIL SEAL	1	1	1	1	
16	5BE-12280-10	DECOMPRESSION ASSY	1	1	1	1	
17	90508-162B2	SPRING, TORSION	1	1	1	1	
18	5NL-12283-00	BRACKET, DECOMPRESSION	1	1	1	1	
19	5BE-12292-10	CABLE, DECOMPRESSION	1	1	1	1	
20	95827-06014	BOLT, FLANGE	1	1	1	1	

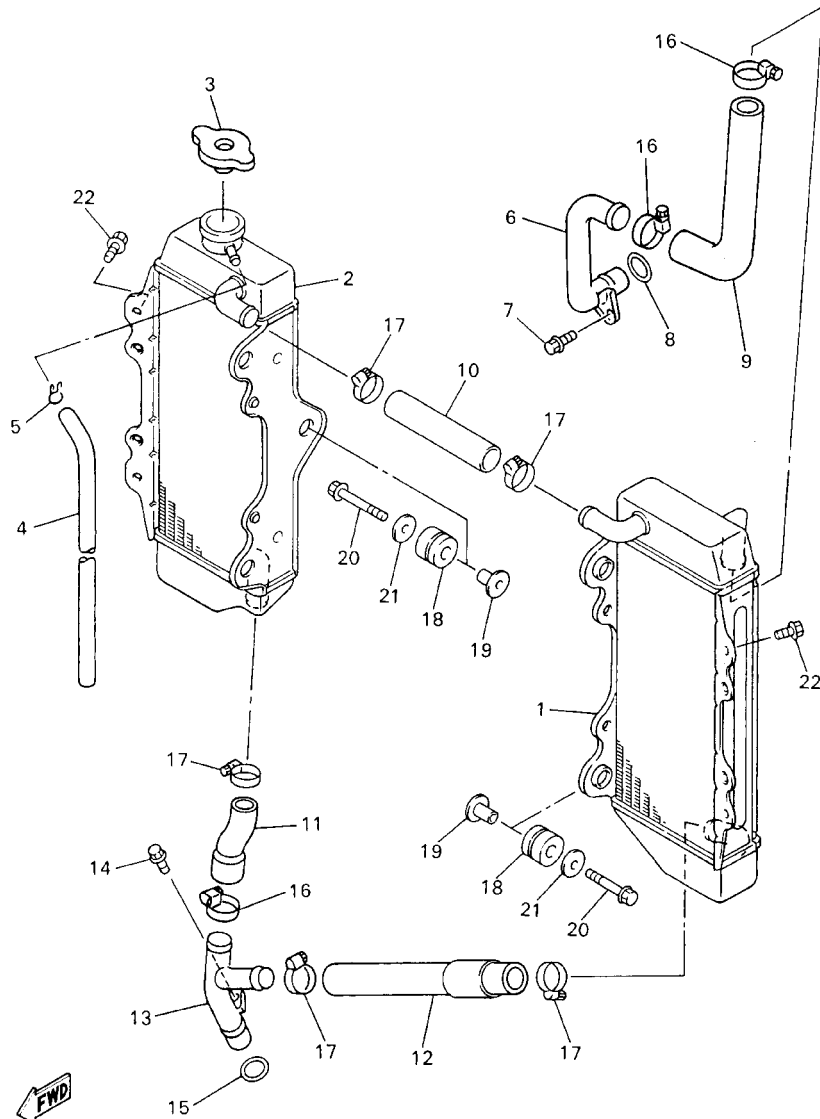
FIG. 5 WATER PUMP



REF. NO.	PART NO.	DESCRIPTION	5SF1	5SF2	5SF3	5SF4	REMARKS
1	5GR-12458-00	SHAFT, IMPELLER	1	1	1	1	
2	5DJ-12451-00	IMPELLER, WATER PUMP	1	1	1	1	
3	90201-08512	WASHER, PLATE	1	1	1	1	
4	93109-11073	OIL SEAL	1	1	1	1	
5	93102-12106	OIL SEAL (SD 12-22-5 HS)	1	1	1	1	
6	93306-00105	BEARING (B6001)	1	1	1	1	
7	5BE-12422-10	COVER, HOUSING	1	1	1	1	
8	5BE-12439-00	O-RING	1	1	1	1	
9	93604-10011	PIN, DOWEL	2	2	2	2	
10	90430-06014	GASKET	1	1	1	1	
11	95027-06025	BOLT, FLANGE	4	4	4	4	
12	5BE-12564-00	PIPE, WATER	2	2	2	2	
13	93210-19758	O-RING	2	2	2	2	

 5BE100-8050

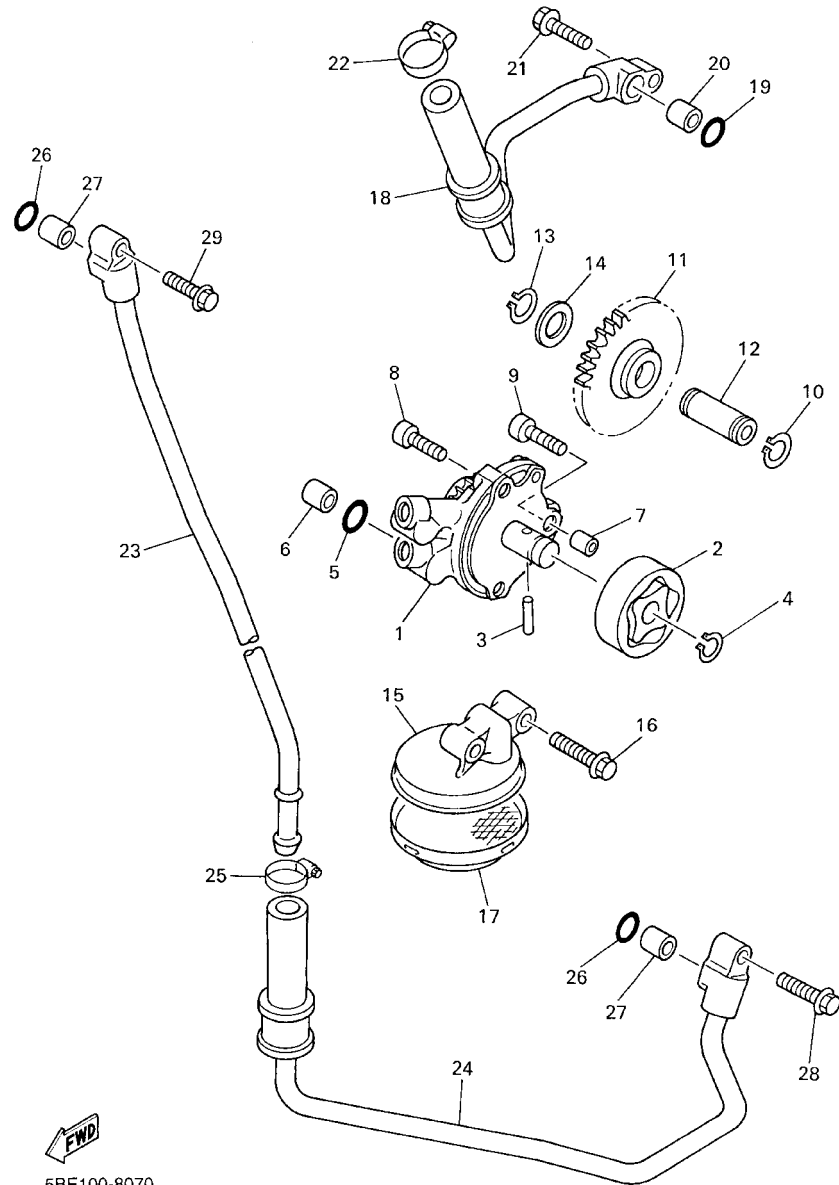
FIG. 6 RADIATOR. HOSE



5JG1100-0060

REF. NO.	PART NO.	DESCRIPTION	SSF1	SSF2	SSF3	SSF4	REMARKS
1	5JG-1240A-00	RADIATOR ASSY	1	1	1	1	
2	5JG-12461-00	RADIATOR ASSY	1	1	1	1	
3	5HD-12462-00	CAP, RADIATOR	1	1	1	1	
4	91A20-05065	TUBE, FLEXIBLE VINYL	1	1	1	1	
5	90467-09006	CLIP	1	1	1	1	
6	5BE-12481-10	PIPE 1	1	1	1	1	
7	95027-06012	BOLT, FLANGE	1	1	1	1	
8	93210-16500	O-RING	1	1	1	1	
9	5BE-12576-00	HOSE 1	1	1	1	1	
10	5BE-12577-01	HOSE 2	1	1	1	1	
11	5BE-12578-00	HOSE 3	1	1	1	1	
12	5BE-12579-02	HOSE 4	1	1	1	1	
13	5BE-12482-00	PIPE 2	1	1	1	1	
14	95027-06012	BOLT, FLANGE	1	1	1	1	
15	93210-16500	O-RING	1	1	1	1	
16	90450-28014	HOSE CLAMP ASSY	3	3	3	3	
17	90450-25037	HOSE CLAMP ASSY	5	5	5	5	
18	90480-15528	GROMMET	6	6	6	6	
19	90387-0614M	COLLAR	6	6	6	6	
20	95027-06025	BOLT, FLANGE	6	6	6	6	
21	90201-06071	WASHER, PLATE	6	6	6	6	
22	95827-06010	BOLT, FLANGE	2	2	2	2	

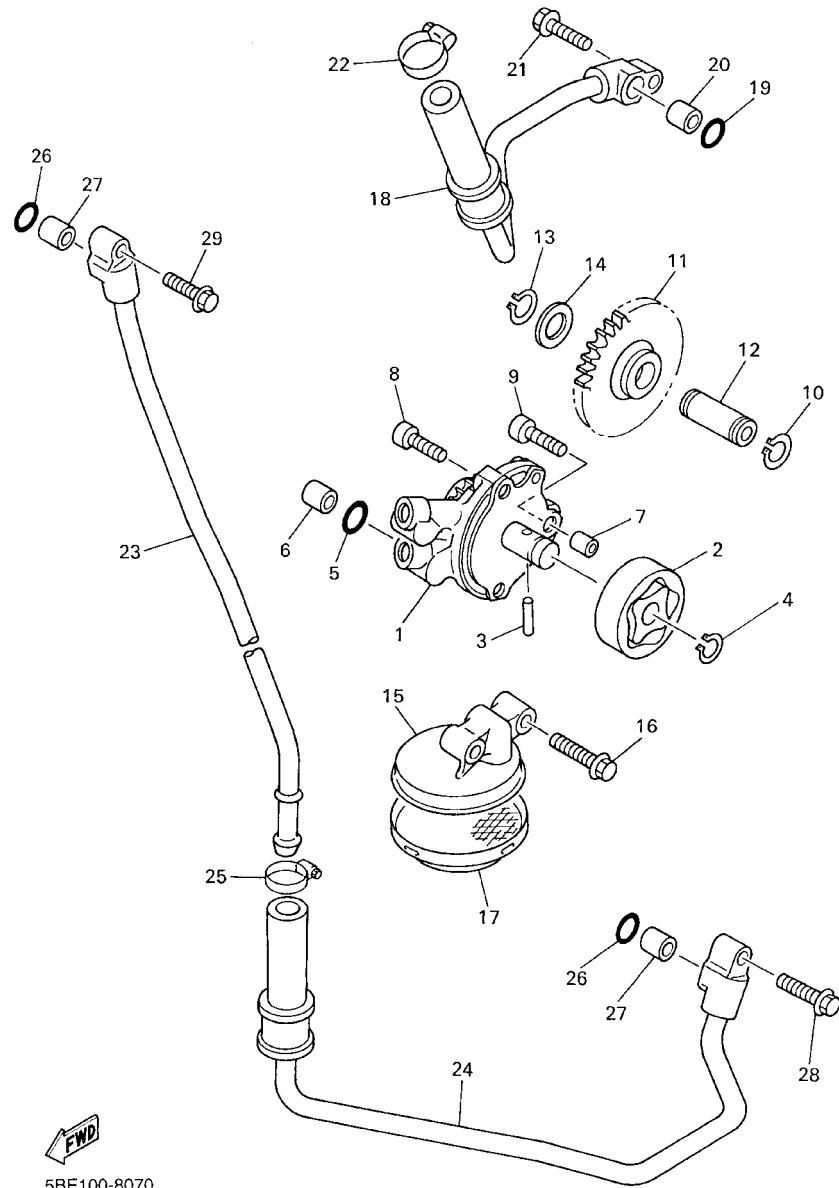
FIG. 7 OIL PUMP



5BE100-8070

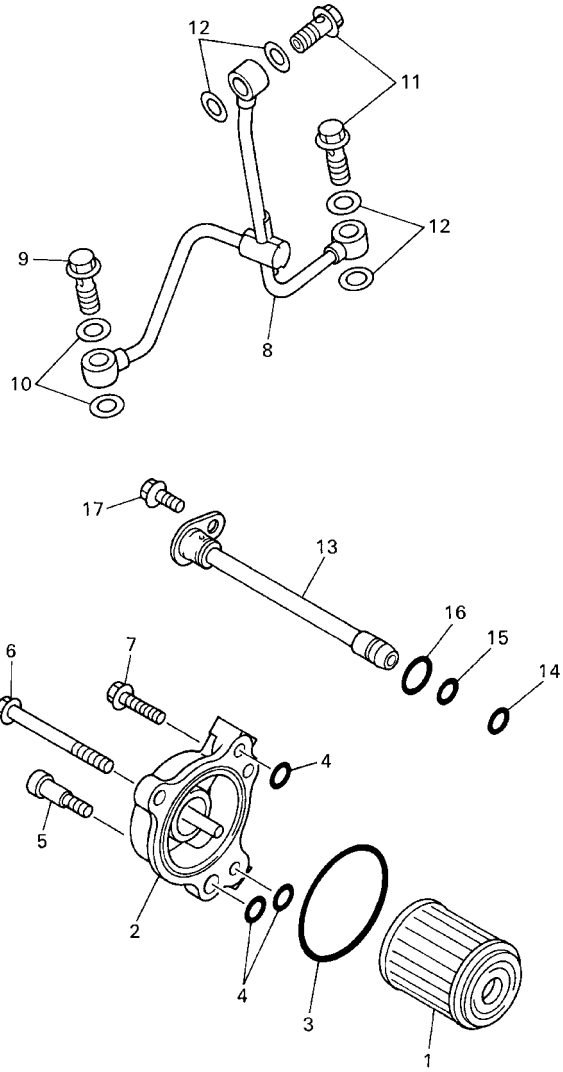
REF. NO.	PART NO.	DESCRIPTION	SSF1	SSF2	SSF3	SSF4	REMARKS
1	5BE-13300-10	OIL PUMP ASSY	1	1	1	1	
2	1HX-13310-10	ROTOR ASSY 1	1	1	1	1	
3	93603-17070	PIN, DOWEL	1	1	1	1	
4	93440-10085	CIRCLIP	1	1	1	1	
5	93210-10197	O-RING	1	1	1	1	
6	99530-10114	PIN, DOWEL	1	1	1	1	
7	99530-08012	PIN, DOWEL	1	1	1	1	
8	91317-06025	BOLT	2	2	2	2	
9	91314-06030	BOLT	1	1	1	1	
10	99001-08600	CIRCLIP	1	1	1	1	
11	5BE-13341-00	GEAR, OIL PUMP IDLE	1	1	1	1	
12	5BE-13342-00	SHAFT, IDLE GEAR	1	1	1	1	
13	99009-12400	CIRCLIP	1	1	1	1	
14	90201-12166	WASHER, PLATE	1	1	1	1	
15	5BE-13412-00	HOUSING, STRAINER	1	1	1	1	
16	95027-06025	BOLT, FLANGE	2	2	2	2	
17	5BE-13411-00	STRAINER, OIL	1	1	1	1	
18	5BE-13464-10	HOSE, OIL 1	1	1	1	1	
19	93210-10197	O-RING	1	1	1	1	
20	99530-10114	PIN, DOWEL	1	1	1	1	
21	95027-06025	BOLT, FLANGE	1	1	1	1	
22	90450-22017	HOSE CLAMP ASSY	1	1	1	1	
23	5BE-13416-00	PIPE, OIL 1	1	1	1	1	
24	5BE-13465-10	HOSE, OIL 2	1	1	1	1	
25	90450-22017	HOSE CLAMP ASSY	1	1	1	1	
26	93210-10197	O-RING	2	2	2	2	
27	99530-10114	PIN, DOWEL	2	2	2	2	

FIG. 7 OIL PUMP



5BE100-8070

REF. NO.	PART NO.	DESCRIPTION	5SF1	5SF2	5SF3	5SF4	REMARKS
28	95027-06025	BOLT, FLANGE	1	1	1	1	
29	95024-06020	BOLT, FLANGE	1	1	1	1	



5BE100-8080

FIG. 8 OIL CLEANER

REF. NO.	PART NO.	DESCRIPTION	5SF1	5SF2	5SF3	5SF4	REMARKS
1	1UY-13440-02	ELEMENT ASSY, OIL CLEANER	1	1	1	1	
2	5BE-13447-00	COVER, OIL ELEMENT	1	1	1	1	
3	93210-47675	O-RING	1	1	1	1	
4	93210-07135	O-RING	3	3	3	3	
5	90109-065G2	BOLT	1	1	1	1	
6	95027-06065	BOLT, FLANGE	1	1	1	1	
7	95027-06020	BOLT, FLANGE	1	1	1	1	
8	5BE-13161-01	PIPE, DELIVERY 1	1	1	1	1	
9	90401-10159	BOLT, UNION	1	1	1	1	
10	90430-10188	GASKET	2	2	2	2	
11	90401-08038	BOLT, UNION	2	2	2	2	
12	90430-08119	GASKET	4	4	4	4	
13	5BE-13171-01	PIPE, DELIVERY 2	1	1	1	1	
14	93210-07003	O-RING	1	1	1	1	
15	93210-09008	O-RING	1	1	1	1	
16	93210-12759	O-RING	1	1	1	1	
17	95027-06012	BOLT, FLANGE	1	1	1	1	

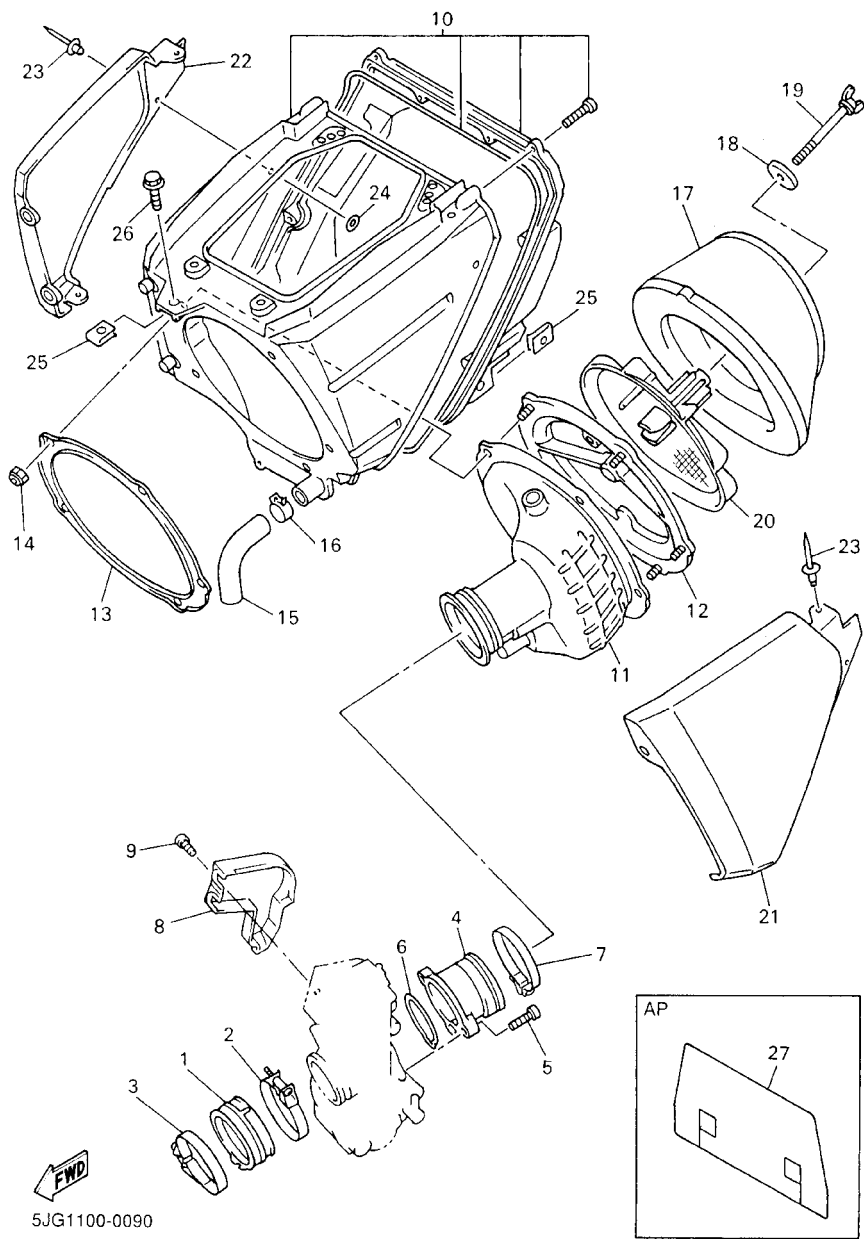
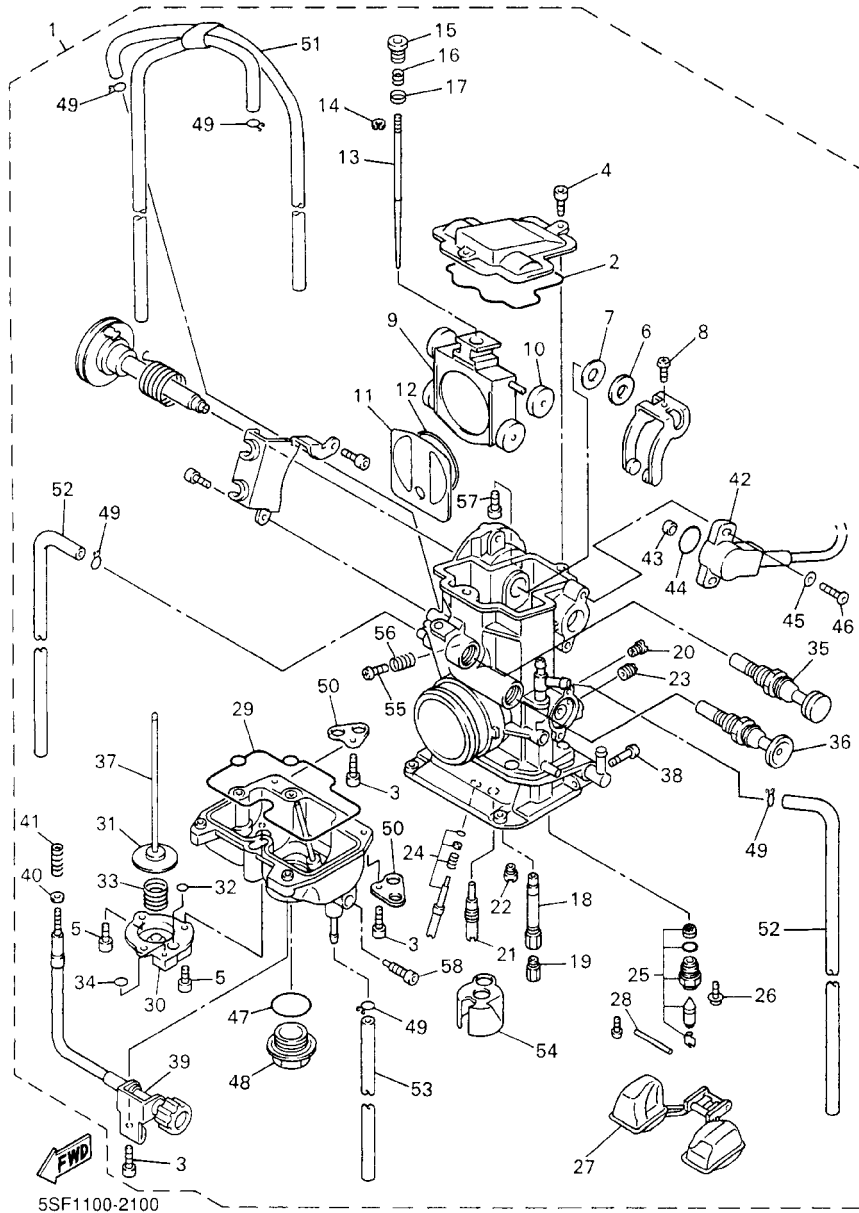


FIG. 9 INTAKE

REF. NO.	PART NO.	DESCRIPTION	SSF1	SSF2	SSF3	SSF4	REMARKS
1	5SF-13597-00	JOINT, CARBURETOR 3	1	1	1	1	
2	90450-57092	HOSE CLAMP ASSY	1	1	1	1	
3	90450-59001	HOSE CLAMP ASSY	1	1	1	1	
4	5JG-1440F-01	JOINT, AIR FILTER 1	1	1	1	1	
5	91317-05014	BOLT	2	2	2	2	
6	4FN-14561-00	O-RING	1	1	1	1	
7	90450-61001	HOSE CLAMP ASSY	1	1	1	1	
8	5JG-14293-01	COVER 1	1	1	1	1	
9	5JG-14428-00	BOLT	1	1	1	1	
10	5JG-14401-00	AIR CLEANER CASE ASSY	1	1	1	1	
11	5JG-14453-00	JOINT, AIR CLEANER 1	1	1	1	1	
12	3JD-14459-01	HOLDER, GUIDE	1	1	1	1	
13	5MV-14477-00	PLATE	1	1	1	1	
14	95607-05100	NUT, U	5	5	5	5	
15	5BE-1443E-00	PIPE, DRAIN	1	1	1	1	
16	90467-17089	CLIP	1	1	1	1	
17	4XM-14451-00	ELEMENT, AIR CLEANER	1	1	1	1	
18	90209-06096	WASHER	1	1	1	1	
19	90122-06035	BOLT, WING	1	1	1	1	
20	5BE-14458-00	GUIDE	1	1	1	1	
21	5BE-1441A-10	COVER, CLEANER CASE 1	1	1	1	1	
22	5BE-1441E-10	COVER, CLEANER CASE 2	1	1	1	1	
23	90267-32070	RIVET, BLIND	5	5	5	5	
24	90201-03313	WASHER, PLATE	5	5	5	5	
25	90183-06023	NUT, SPRING	2	2	2	2	
26	95027-06012	BOLT, FLANGE	1	1	1	1	
27	5JG-14417-00	COVER 1	1	1	1	1	AP

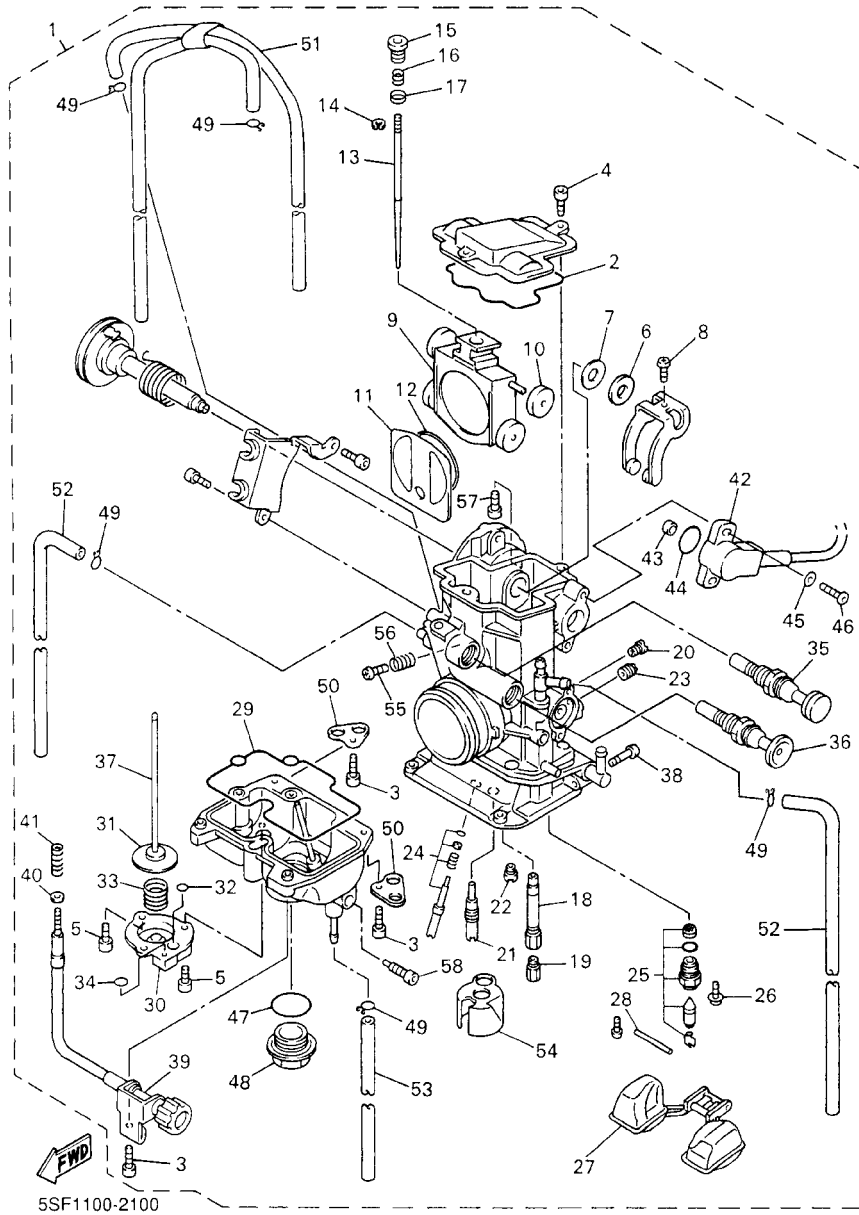
FIG. 10 CARBURETOR



5SF1100-2100

REF. NO.	PART NO.	DESCRIPTION	5SF1	5SF2	5SF3	5SF4	REMARKS
1	5SF-14101-00	CARBURETOR ASSY 1	1	1	1	1	
2	5JG-14959-00	.GASKET	1	1	1	1	
3	91316-04012	.BOLT	4	4	4	4	
4	91316-04012	.BOLT	2	2	2	2	
5	91316-04008	.BOLT	3	3	3	3	
6	90202-08045	.WASHER, PLATE	1	1	1	1	
7	5JG-14951-00	.WASHER	1	1	1	1	
8	5JG-14522-00	.SCREW, ADJUST	1	1	1	1	
9	5JG-14388-00	.VALVE, VACUUM CONTROL	1	1	1	1	
10	3TJ-14267-40	.ROLLER	1	1	1	1	
11	5JG-14546-01	.VALVE, NEEDLE	1	1	1	1	
12	4FN-14997-00	.SEAL	1	1	1	1	
13	5JG-14916-JP	.NEEDLE (#EJP)	1	1	1	1	STD
	5JG-14916-JM	.NEEDLE (#EJM)	1	1	1	1	AP
	5JG-14916-JN	.NEEDLE (#EJN)	1	1	1	1	AP
	5JG-14916-J1	.NEEDLE (#EJQ)	1	1	1	1	AP
	5JG-14916-JR	.NEEDLE (#EJR)	1	1	1	1	AP
	5JG-14916-JS	.NEEDLE (#EJS)	1	1	1	1	AP
	5JG-14916-JL	.NEEDLE (#EJL)	1	1	1	1	AP
14	3TJ-14159-40	.CLIP	1	1	1	1	
15	5JG-14521-00	.SCREW, ADJUST	1	1	1	1	
16	5JG-14275-00	.SPRING	1	1	1	1	
17	5JG-14264-00	.COLLAR	1	1	1	1	
18	5JG-14947-00	.NOZZLE, MAIN	1	1	1	1	
19	4MX-14943-90	.JET, MAIN (#162)	1	1	1	1	STD
	4MX-14943-88	.JET, MAIN (#152)	1	1	1	1	AP
	4MX-14943-38	.JET, MAIN (#155)	1	1	1	1	AP

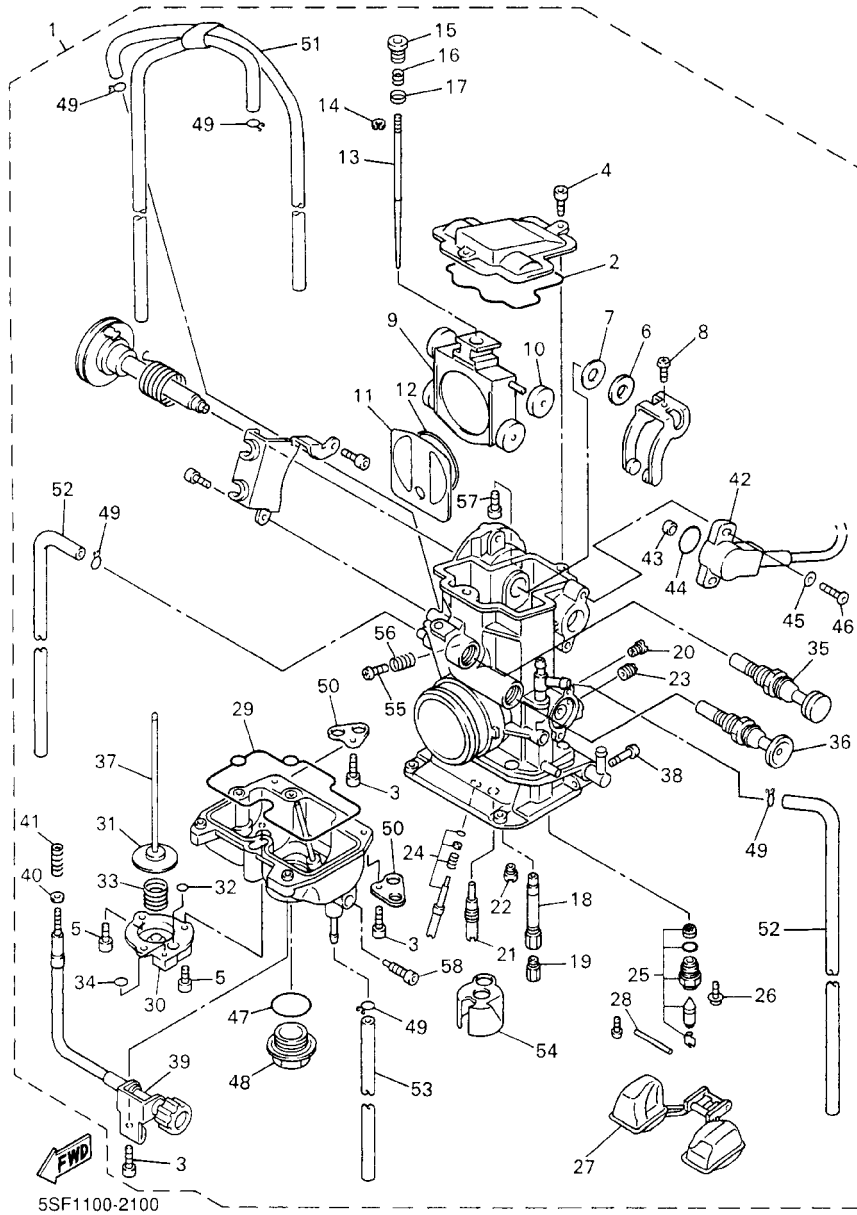
FIG. 10 CARBURETOR



5SF1100-2100

REF. NO.	PART NO.	DESCRIPTION	5SF1	5SF2	5SF3	5SF4	REMARKS
19	4MX-14943-89	.JET, MAIN (#158)	1	1	1	1	AP
	4MX-14943-39	.JET, MAIN (#160)	1	1	1	1	AP
	4MX-14943-40	.JET, MAIN (#165)	1	1	1	1	AP
	4MX-14943-91	.JET, MAIN (#168)	1	1	1	1	AP
	4MX-14943-41	.JET, MAIN (#170)	1	1	1	1	AP
	4MX-14943-92	.JET, MAIN (#172)	1	1	1	1	AP
	4MX-14943-42	.JET, MAIN (#175)	1	1	1	1	AP
	4MX-14943-93	.JET, MAIN (#178)	1	1	1	1	AP
20	3TJ-14943-47	.JET (#200)	1	1	1	1	
21	4MX-14948-04	.JET, SLOW (#42)	1	1	1	1	STD
	4MX-14948-01	.JET, SLOW (#35)	1	1	1	1	AP
	4MX-14948-02	.JET, SLOW (#38)	1	1	1	1	AP
	4MX-14948-03	.JET, SLOW (#40)	1	1	1	1	AP
	4MX-14948-05	.JET, SLOW (#45)	1	1	1	1	AP
	4MX-14948-06	.JET, SLOW (#48)	1	1	1	1	AP
	4MX-14948-07	.JET, SLOW (#50)	1	1	1	1	AP
22	3TJ-1494F-16	.JET (#72)	1	1	1	1	STD
	3TJ-1494F-12	.JET (#62)	1	1	1	1	AP
	3TJ-1494F-13	.JET (#65)	1	1	1	1	AP
	3TJ-1494F-14	.JET (#68)	1	1	1	1	AP
	3TJ-1494F-15	.JET (#70)	1	1	1	1	AP
	3TJ-1494F-17	.JET (#75)	1	1	1	1	AP
	3TJ-1494F-18	.JET (#78)	1	1	1	1	AP
	3TJ-1494F-19	.JET (#80)	1	1	1	1	AP
	3TJ-1494F-20	.JET (#82)	1	1	1	1	AP
23	7A9-14943-27	.JET (#100)	1	1	1	1	
24	3TJ-14105-40	.PILOT SCREW SET	1	1	1	1	

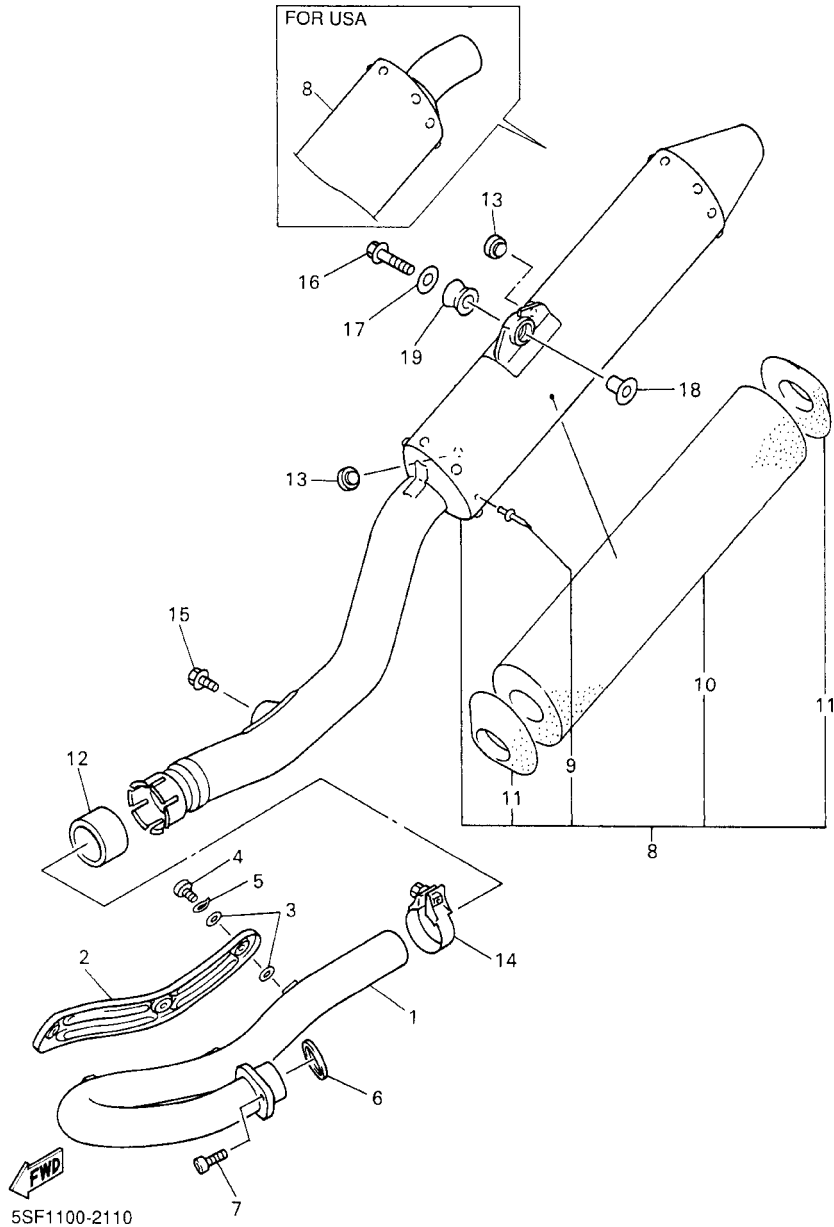
FIG. 10 CARBURETOR



5SF1100-2100

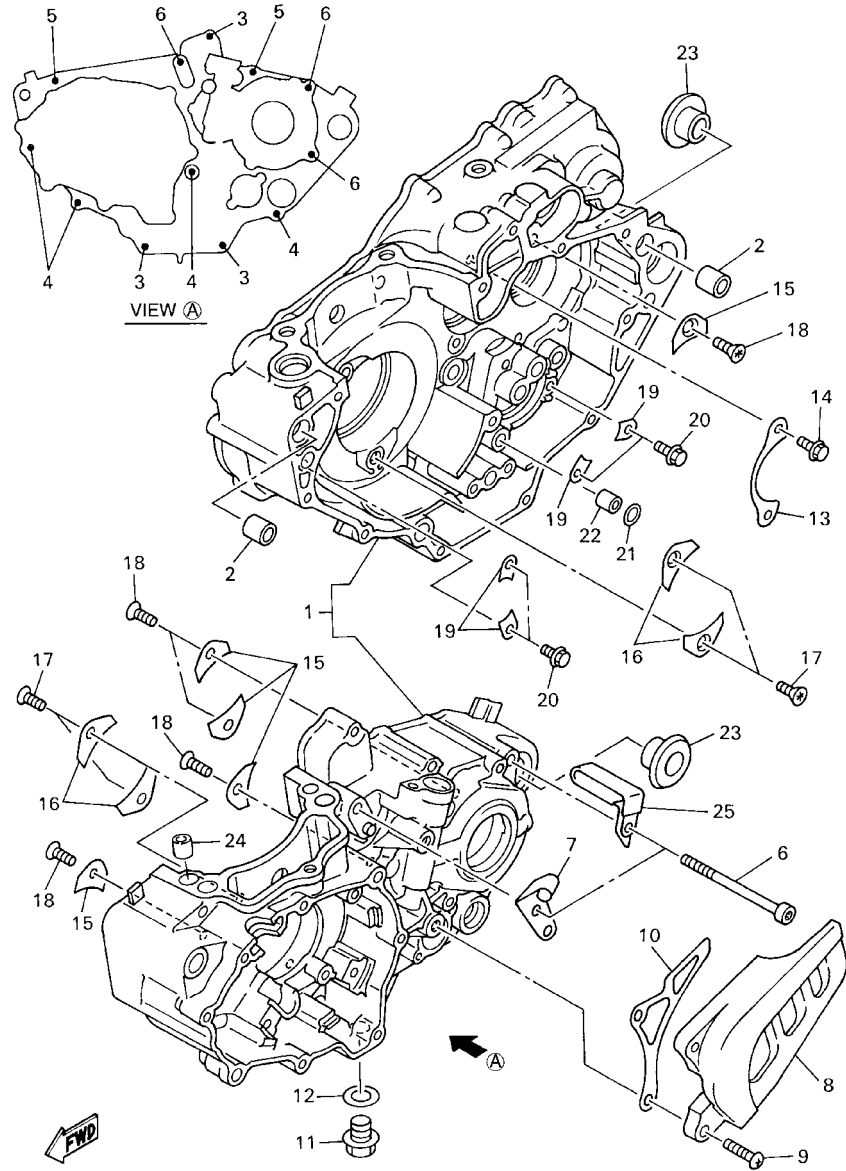
REF. NO.	PART NO.	DESCRIPTION	5SF1	5SF2	5SF3	5SF4	REMARKS
25	5BE1410700	.NEEDLE VALVE SET	1	1	1	1	
26	5BE1421600	.SCREW	1	1	1	1	
27	4SR1498500	.FLOAT	1	1	1	1	
28	6761454800	.PIN, FLOAT ARM	1	1	1	1	
29	5JG1498400	.GASKET, FLOAT CHAMBER	1	1	1	1	
30	3TJ1429340	.COVER 1	1	1	1	1	
31	5JG1494017	.DIAPHRAGM ASSY	1	1	1	1	STD
	5JG1494006	.DIAPHRAGM ASSY	1	1	1	1	AP
	5JG1494007	.DIAPHRAGM ASSY	1	1	1	1	AP
	5JG1494008	.DIAPHRAGM ASSY	1	1	1	1	AP
32	3TJ1453640	.GASKET	1	1	1	1	
33	3TJ1493340	.SPRING, DIAPHRAGM	1	1	1	1	
34	6H41456100	.ORING	1	1	1	1	
35	5JG1417100	.PLUNGER, STARTER	1	1	1	1	
36	5JG1437100	.PLUNGER, STARTER	1	1	1	1	
37	5JG1437900	.ROD, STARTER	1	1	1	1	
38	3TJ1432540	.SCREW, PAN HEAD	1	1	1	1	
39	5JG1492200	.SCREW, THROTTLE	1	1	1	1	
40	9020108410	.WASHER, PLATE	1	1	1	1	
41	4FN1493400	.SPRING, THROTTLE STOP	1	1	1	1	
42	5JG8588500	.THROTTLE SENSOR ASSY	1	1	1	1	
43	5BE1444900	.COLLAR	1	1	1	1	
44	5BE1456200	.ORING	1	1	1	1	
45	4YR1455700	.WASHER	2	2	2	2	
46	4YR1421600	.SCREW	2	2	2	2	
47	4MX1456100	.ORING	1	1	1	1	
48	4MX1411500	.PLUG, SCREW	1	1	1	1	

FIG. 11 EXHAUST



REF. NO.	PART NO.	DESCRIPTION	5SF1	5SF2	5SF3	5SF4	REMARKS
1	5JG1461100	PIPE, EXHAUST 1	1	1	1	1	
2	5JG1462800	PROTECTOR, EXHAUST PIPE	1	1	1	1	
3	4BD1476600	WASHER, PROTECTOR	6	6	6	6	
4	9898006008	SCREW, BIND	3	3	3	3	
5	9020606090	WASHER, WAVE	3	3	3	3	
6	3VD1461300	GASKET, EXHAUST PIPE	1	1	1	1	
7	9131708020	BOLT	1	1	1	1	
8	5JG1475360	SILENCER, EXHAUST		1	1	1	
9	9026748121	.RIVET, BLIND	16	16	16	16	
10	5JG1469A60	.FIBER		1	1	1	
11	5BE1469E00	.FIBER	2	2	2	2	
12	3GW1471400	GASKET, MUFFLER	1	1	1	1	
13	22W2418100	DAMPER, LOCATING 1	2	2	2	2	
14	5BE1478800	BAND, SILENCER	1	1	1	1	
15	9581708016	BOLT, FLANGE	1	1	1	1	
16	9581708030	BOLT, FLANGE	1	1	1	1	
17	90201081R9	WASHER, PLATE	1	1	1	1	
18	903870814J	COLLAR	1	1	1	1	
19	5BE1474700	DAMPER, MUFFLER	1	1	1	1	

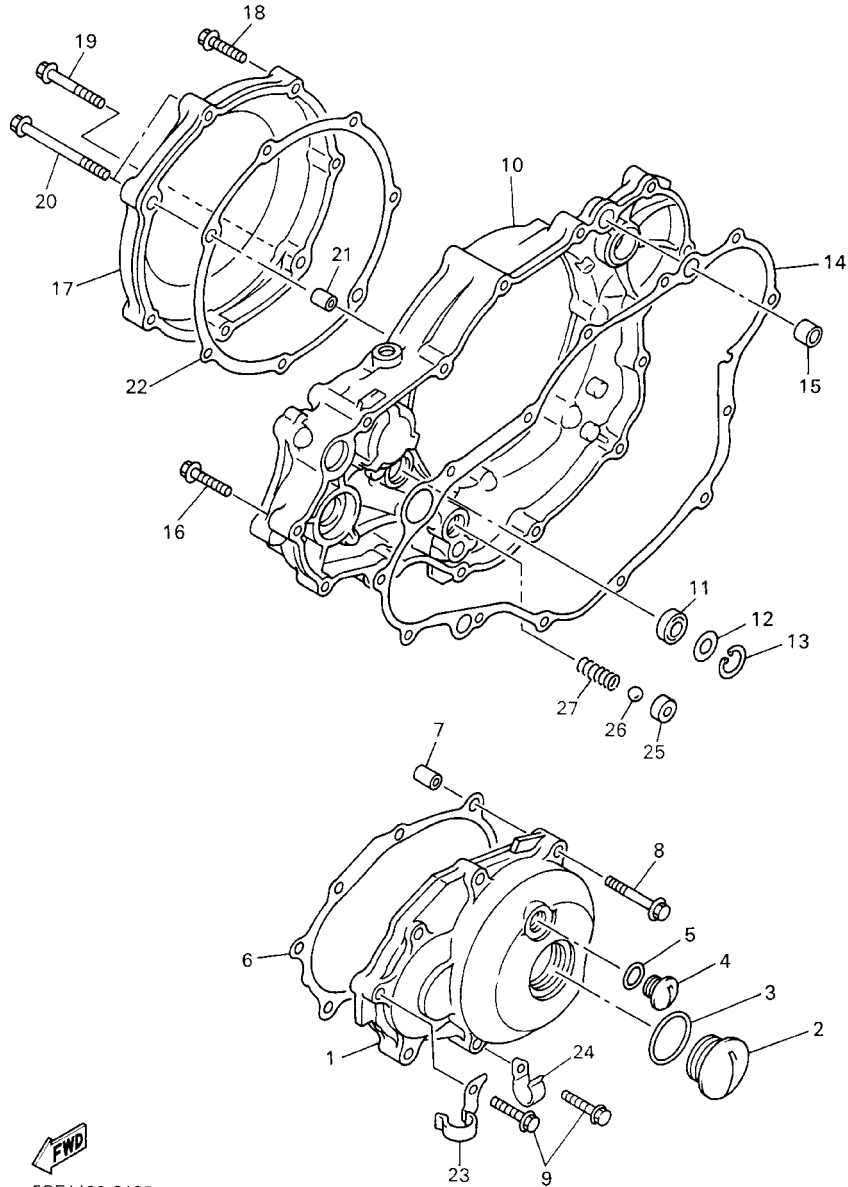
FIG. 12 CRANKCASE



5BE100-8120

REF. NO.	PART NO.	DESCRIPTION	SSF1	SSF2	SSF3	SSF4	REMARKS
1	5SF1515000	CRANKCASE ASSY	1	1	1	1	
2	9953014016	PIN, DOWEL	2	2	2	2	
3	9131706040	BOLT	3	3	3	3	
4	9131706050	BOLT	4	4	4	4	
5	9131706060	BOLT	2	2	2	2	
6	9131706075	BOLT	3	3	3	3	
7	5JG1544101	HOLDER, CLUTCH CABLE	1	1	1	1	
8	5BE1542100	COVER, CRANKCASE 2	1	1	1	1	
9	9850706025	SCREW, PAN HEAD	2	2	2	2	
10	5BE1746610	GUIDE, CHAIN	1	1	1	1	
11	9034012059	PLUG, STRAIGHT SCREW	1	1		1	
12	9043012213	GASKET	1	1	1	1	
13	4L01747100	PLATE, COVER	1	1	1	1	
14	9010506553	BOLT, FLANGE	2	2	2	2	
15	4JT1538101	PLATE, BEARING COVER	5	5	5	5	
16	5BE1538301	PLATE, BEARING COVER	4	4	4	4	
17	9014906126	SCREW	4	4	4	4	
18	9014906326	SCREW	5	5	5	5	
19	5DH1856200	PLATE, STOPPER 2	4	4	4	4	
20	9010506553	BOLT, FLANGE	4	4	4	4	
21	9321010197	ORING	1	1	1	1	
22	9953010114	PIN, DOWEL	1	1	1	1	
23	9038718006	COLLAR	2	2	2	2	
24	9953010116	PIN, DOWEL	2	2	2	2	
25	9046110136	CLAMP	1	1	1	1	

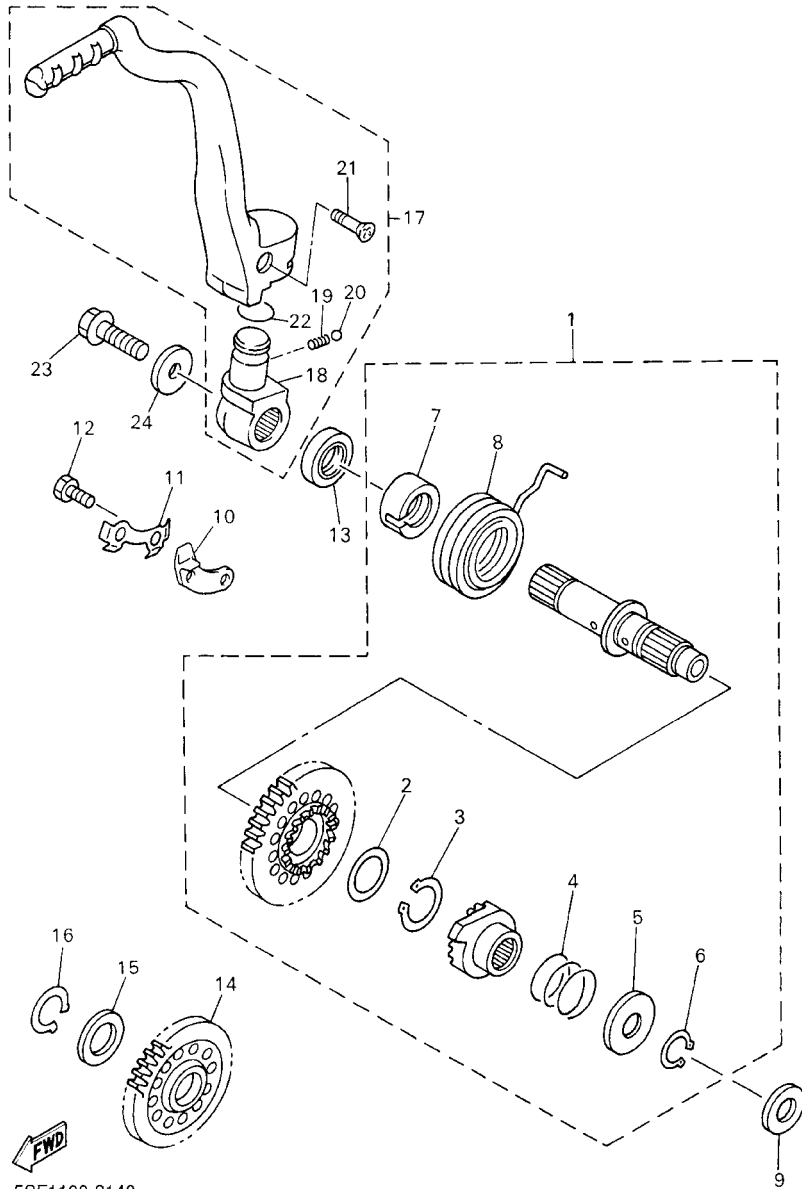
FIG. 13 CRANKCASE COVER 1



5SF1100-2130

REF. NO.	PART NO.	DESCRIPTION	5SF1	5SF2	5SF3	5SF4	REMARKS
1	5BE1541100	COVER, CRANKCASE 1	1	1	1	1	
2	9034032123	PLUG, STRAIGHT SCREW	1	1	1	1	
3	9321032172	ORING	1	1	1	1	
4	9034014128	PLUG, STRAIGHT SCREW	1	1	1	1	
5	9321014369	ORING	1	1	1	1	
6	5BE1545100	GASKET, CRANKCASE COVER 1	1	1	1	1	
7	9953008016	PIN, DOWEL	2	2	2	2	
8	9502706040	BOLT, FLANGE	2	2	2	2	
9	9502706030	BOLT, FLANGE	6	6	6	6	
10	5JG1543100	COVER, CRANKCASE 3	1	1	1	1	
11	9310114164	OIL SEAL	1	1	1	1	
12	9020115701	WASHER, PLATE (1.0T)	1	1	1	1	
13	9900922500	CIRCLIP	1	1	1	1	
14	5BE1546200	GASKET, CRANKCASE COVER 3	1	1	1	1	
15	9181216001	PIN, DOWEL	2	2	2	2	
16	9502706030	BOLT, FLANGE	10	10	10	10	
17	5JG1541500	COVER, GENERATOR	1	1	1	1	
18	9502706030	BOLT, FLANGE	4	4	4	4	
19	9502706040	BOLT, FLANGE	1	1	1	1	
20	90105065A1	BOLT, FLANGE	2	2	2	2	
21	9953008016	PIN, DOWEL	2	2	2	2	
22	5JG1545300	GASKET	1	1	1	1	
23	9046210241	CLAMP	1	1	1	1	
24	9046508029	CLAMP	1	1	1	1	
25	5831311300	SEAT, CHECK BALL	1	1	1	1	
26	9350308007	BALL	1	1	1	1	
27	90501043E0	SPRING, COMPRESSION	1	1	1	1	

FIG. 14 STARTER



5SF1100-2140

REF. NO.	PART NO.	DESCRIPTION	5SF1	5SF2	5SF3	5SF4	REMARKS
1	5GR1560100	KICK SHAFT ASSY	1	1	1	1	
2	9020120685	.WASHER, PLATE (0.5T)	1	1	1	1	
3	9341020038	.CIRCLIP	1	1	1	1	
4	9050116016	.SPRING, COMPRESSION	1	1	1	1	
5	90201167P7	.WASHER, PLATE	1	1	1	1	
6	9900916400	.CIRCLIP	1	1	1	1	
7	5GR1566400	.GUIDE, SPRING	1	1	1	1	
8	9050830743	.SPRING, TORSION	1	1	1	1	
9	90201162H4	WASHER, PLATE	1	1	1	1	
10	5SF1566800	STOPPER	1	1	1	1	
11	5BE1568601	WASHER, LOCK	1	1	1	1	
12	9010106001	BOLT	2	2	2	2	
13	9310220108	OIL SEAL	1	1	1	1	
14	5BE1565100	GEAR, KICK IDLE	1	1	1	1	
15	9020120276	WASHER, PLATE (1.0T)	1	1	1	1	
16	9900920400	CIRCLIP	1	1	1	1	
17	5BE1562002	KICK CRANK ASSY	1	1	1	1	
18	3SP1562102	.BOSS, KICK CRANK	1	1	1	1	
19	9050113720	.SPRING, COMPRESSION	1	1	1	1	
20	9350104011	.BALL	1	1	1	1	
21	9015206010	.SCREW, COUNTERSUNK	1	1	1	1	
22	9321019216	.ORING	1	1	1	1	
23	9010508752	BOLT, FLANGE	1	1	1	1	
24	90201087A9	WASHER, PLATE	1	1	1	1	

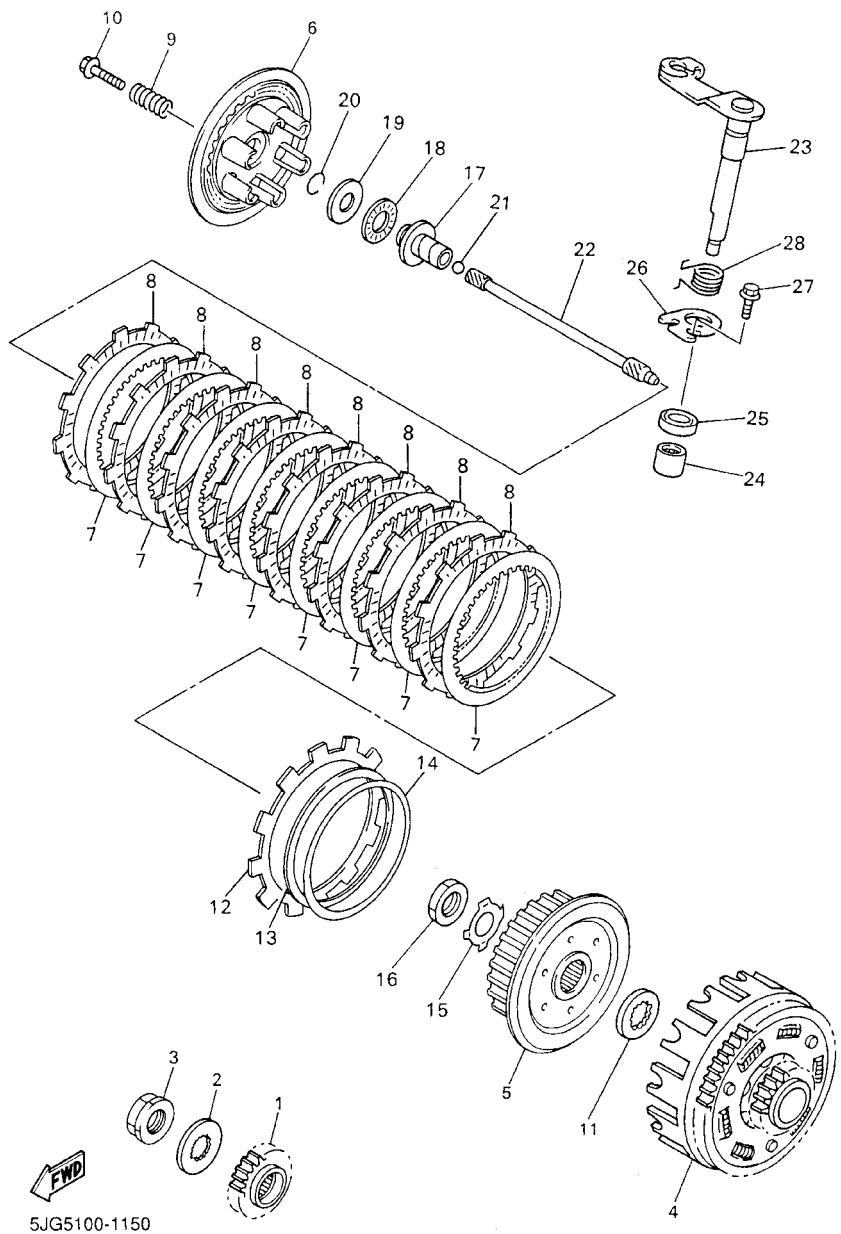


FIG. 15 CLUTCH

REF. NO.	PART NO.	DESCRIPTION	SSF1	SSF2	SSF3	SSF4	REMARKS
1	5JG1611100	GEAR, PRIMARY DRIVE	1	1	1	1	
2	9021521001	WASHER, LOCK	1	1	1	1	
3	9017920001	NUT	1	1	1	1	
4	5JG1615010	PRIMARY DRIVEN GEAR COMP.	1	1	1	1	
5	5JG1637110	BOSS, CLUTCH	1	1	1	1	
6	5JG1635100	PLATE, PRESSURE 1	1	1	1	1	
7	5JG1632500	PLATE, CLUTCH 2	8	8	8	8	
8	3XK1632100	PLATE, FRICTION	8	8	8	8	
9	90501237L0	SPRING, COMPRESSION	6	6	6	6	
10	9015906092	SCREW, WITH WASHER	6	6	6	6	
11	2JN1615400	PLATE, THRUST 1	1	1	1	1	
12	5JG1632100	PLATE, FRICTION	1	1	1	1	
13	5JG1638300	SPRING, CLUTCH BOSS	1	1	1	1	
14	5JG1638400	PLATE, SEAT	1	1	1	1	
15	9021520231	WASHER, LOCK	1	1	1	1	
16	9017020327	NUT	1	1	1	1	
17	5JG1635600	ROD, PUSH 1	1	1	1	1	
18	9334021505	BEARING	1	1	1	1	
19	90201125L6	WASHER, PLATE	1	1	1	1	
20	9344010085	CIRCLIP	1	1	1	1	
21	9351132027	BALL	1	1	1	1	
22	5JG1635710	ROD, PUSH 2	1	1	1	1	
23	5JG1638100	PUSH LEVER COMP.	1	1	1	1	
24	9331711287	BEARING	1	1	1	1	
25	9310212224	OIL SEAL	1	1	1	1	
26	4JT1638400	PLATE, SEAT	1	1	1	1	
27	9502706010	BOLT, FLANGE	1	1	1	1	

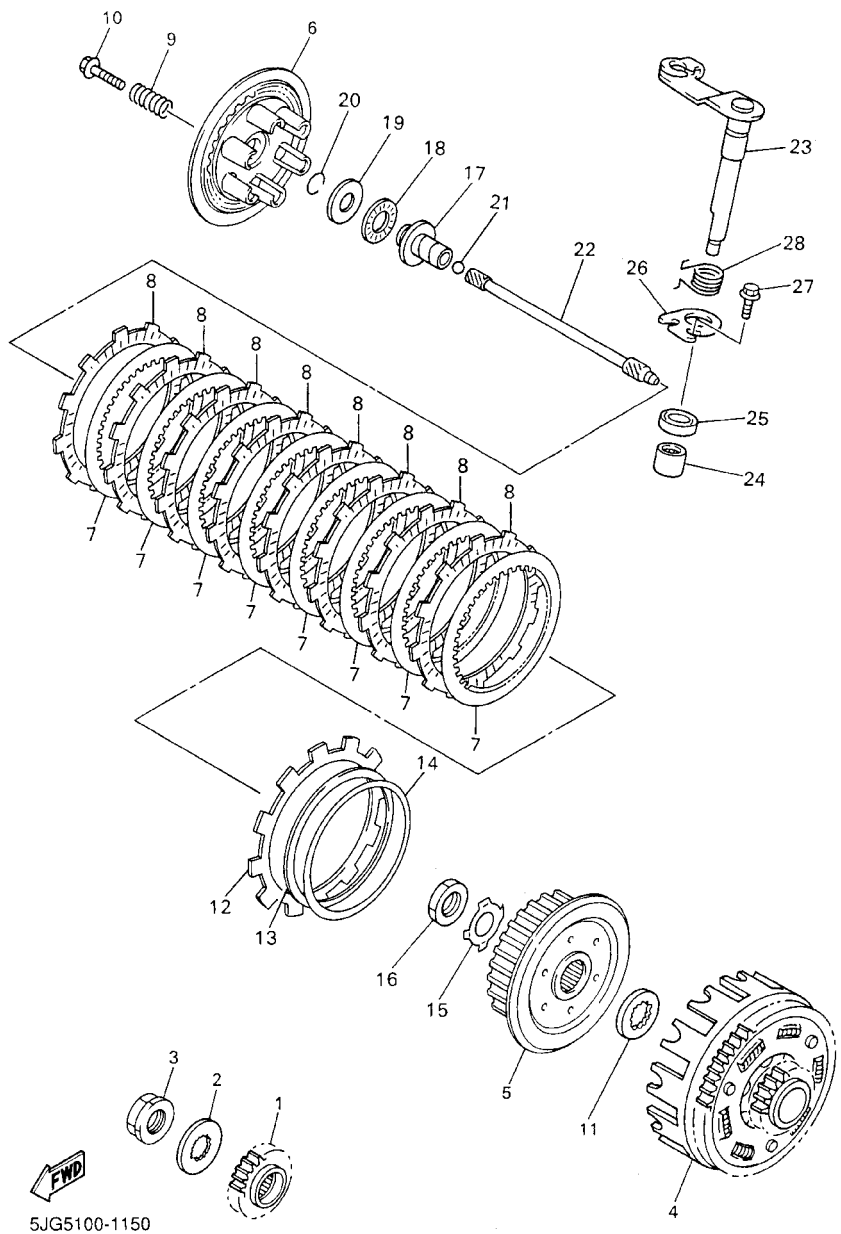


FIG. 15 CLUTCH

REF. NO.	PART NO.	DESCRIPTION	5SF1	5SF2	5SF3	5SF4	REMARKS
28	90508142B5	SPRING, TORSION	1	1	1	1	

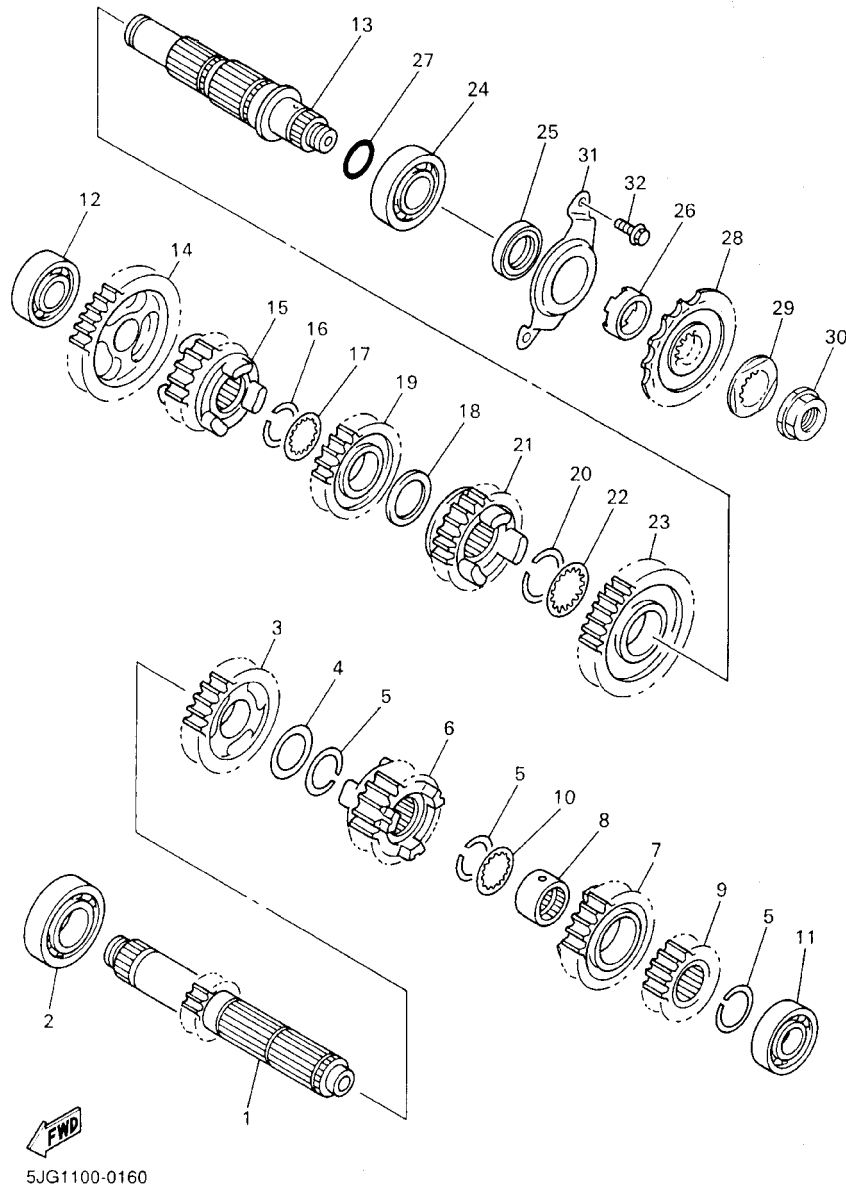
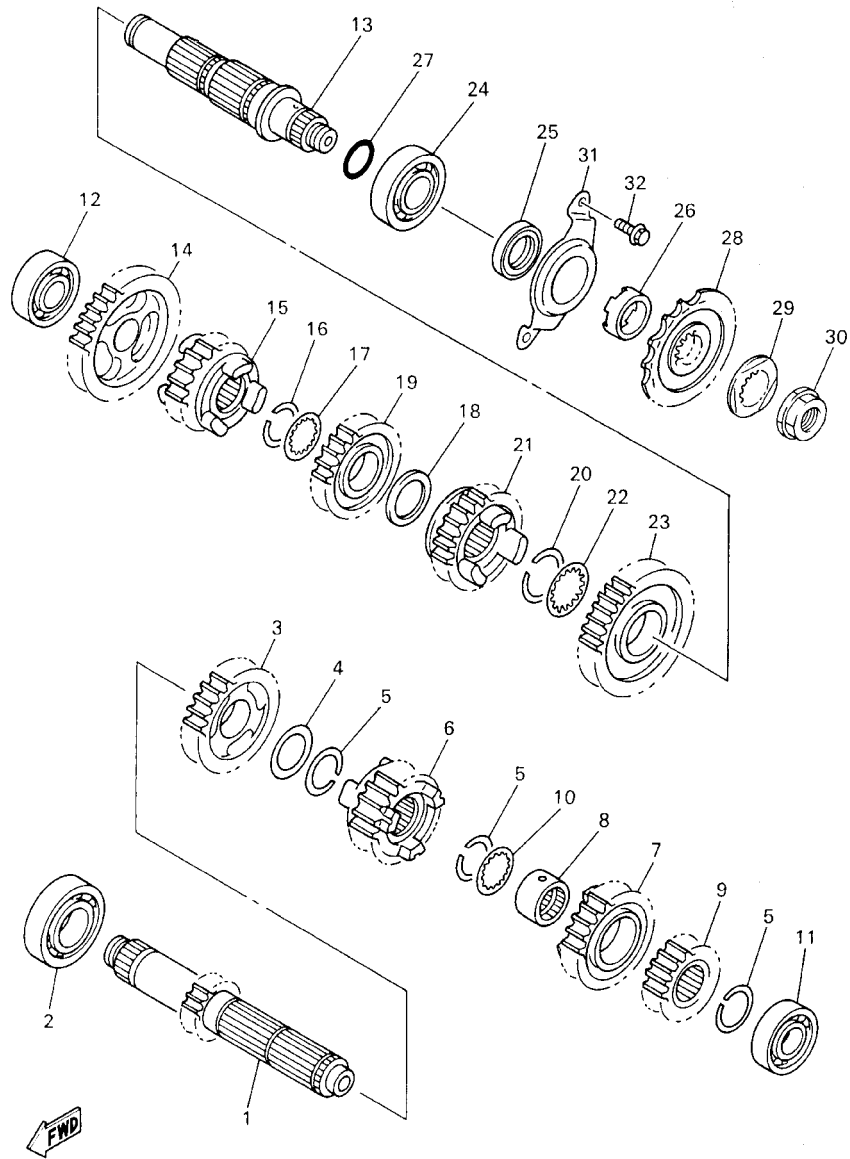


FIG. 16 TRANSMISSION

REF. NO.	PART NO.	DESCRIPTION	SSF1	SSF2	SSF3	SSF4	REMARKS
1	5JG1741100	AXLE, MAIN	1	1	1	1	
2	9330620532	BEARING	1	1	1	1	
3	5BE1715100	GEAR, 5TH PINION (21T)	1	1	1	1	
4	90201253K0	WASHER, PLATE (T=1.0)	1	1	1	1	
5	9344025084	CIRCLIP	3	3	3	3	
6	5BE1713121	GEAR, 3RD PINION (18T)	1	1	1	1	
7	5BE1714130	GEAR, 4TH PINION (22T)	1	1	1	1	
8	903872113G	COLLAR	1	1	1	1	
9	5JG1712110	GEAR, 2ND PINION (15T)	1	1	1	1	
10	9020921332	WASHER	1	1	1	1	
11	9330600431	BEARING	1	1	1	1	
12	9330600426	BEARING	1	1	1	1	
13	5BE1742100	AXLE, DRIVE	1	1	1	1	
14	5JG1721100	GEAR, 1ST WHEEL (24T)	1	1	1	1	
15	5BE1725110	GEAR, 5TH WHEEL (20T)	1	1	1	1	
16	9344025084	CIRCLIP	1	1	1	1	
17	9020921332	WASHER	1	1	1	1	
18	90201253K0	WASHER, PLATE (T=1.0)	1	1	1	1	
19	5BE1723100	GEAR, 3RD WHEEL (23T)	1	1	1	1	
20	9344028062	CIRCLIP	1	1	1	1	
21	5JG1724100	GEAR, 4TH WHEEL (24T)	1	1	1	1	
22	9020926348	WASHER	1	1	1	1	
23	5JG1722110	GEAR, 2ND WHEEL (23T)	1	1	1	1	
24	9330620593	BEARING	1	1	1	1	
25	9310232480	OIL SEAL	1	1	1	1	
26	903872513F	COLLAR	1	1	1	1	
27	9321022164	ORING	1	1	1	1	

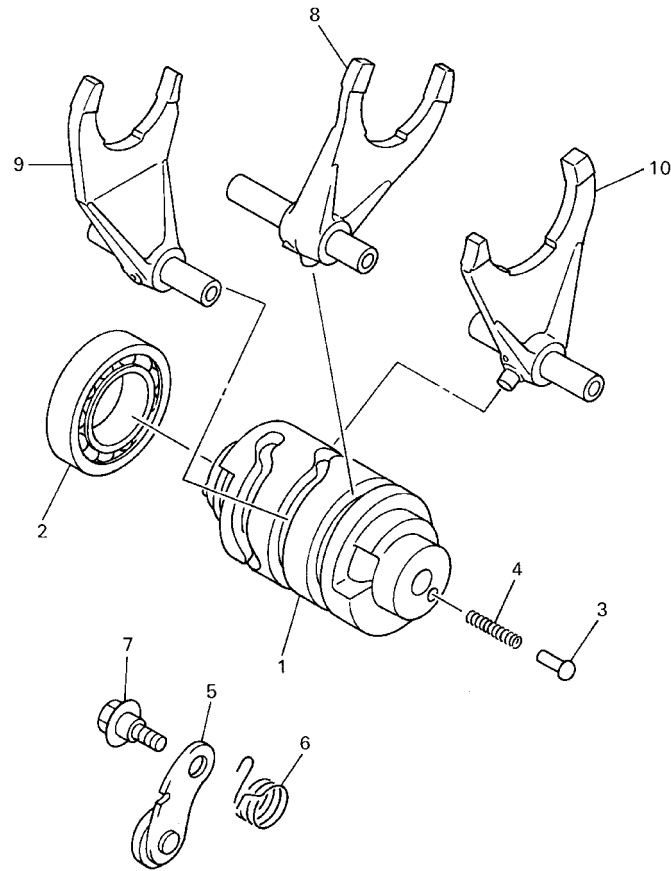


5JG1100-0160

FIG. 16 TRANSMISSION

REF. NO.	PART NO.	DESCRIPTION	5SF1	5SF2	5SF3	5SF4	REMARKS
28	9383E14215	SPROCKET, DRIVE (14T)	1	1	1	1	
29	9021521001	WASHER, LOCK	1	1	1	1	
30	9017920001	NUT	1	1	1	1	
31	5GR1747100	PLATE, COVER	1	1	1	1	
32	9010506553	BOLT, FLANGE	2	2	2	2	
<hr/>							
<hr/>							
<hr/>							
<hr/>							
<hr/>							
<hr/>							
<hr/>							
<hr/>							
<hr/>							

FIG. 17 SHIFT CAM. FORK

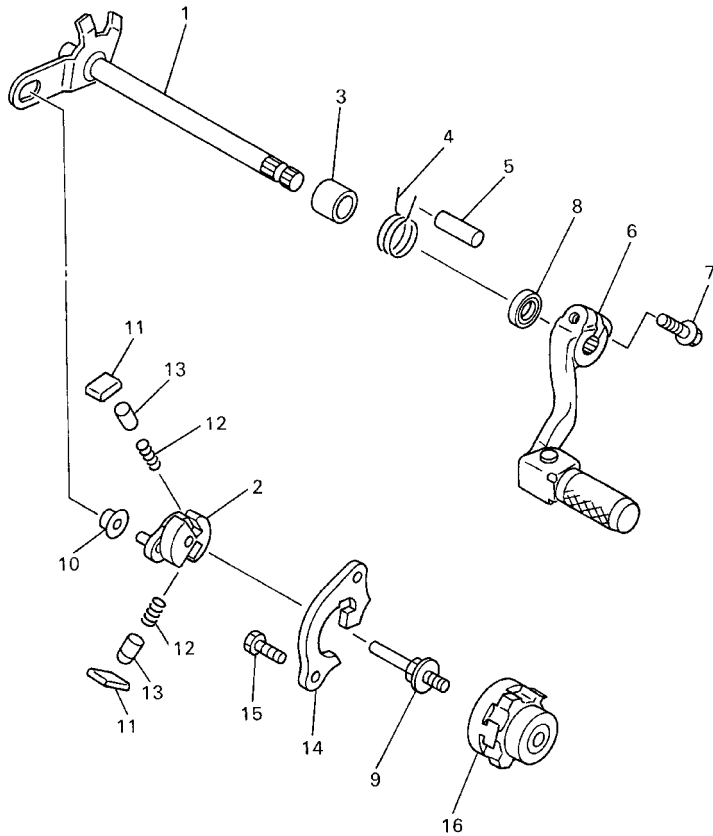


REF. NO.	PART NO.	DESCRIPTION	5SF1	5SF2	5SF3	5SF4	REMARKS
1	5JG1854100	CAM, SHIFT	1	1	1	1	
2	9330690501	BEARING	1	1	1	1	
3	4BA1854200	POINT, NEUTRAL	1	1	1	1	
4	9050106022	SPRING, COMPRESSION	1	1	1	1	
5	3XK1814000	STOPPER LEVER ASSY	1	1	1	1	
6	9050826561	SPRING, TORSION	1	1	1	1	
7	90109063F8	BOLT	1	1	1	1	
8	5BE1850120	FORK, SHIFT 1	1	1	1	1	
9	5BE1850220	FORK, SHIFT 2	1	1	1	1	
10	5BE1850320	FORK, SHIFT 3	1	1	1	1	



5BE100-8170

FIG. 18 SHIFT SHAFT



5BE100-8180

REF. NO.	PART NO.	DESCRIPTION	5SF1	5SF2	5SF3	5SF4	REMARKS
1	3XK1810102	SHIFT SHAFT ASSY	1	1	1	1	
2	5LP1812200	LEVER, SHIFT 2	1	1	1	1	
3	90387124F4	COLLAR	1	1	1	1	
4	90508291A8	SPRING, TORSION	1	1	1	1	
5	9360833002	PIN, DOWEL	1	1	1	1	
6	5BE1811000	SHIFT PEDAL ASSY	1	1	1	1	
7	9502706020	BOLT, FLANGE	1	1	1	1	
8	9310212106	OIL SEAL (SD 12225 HS)	1	1	1	1	
9	3XJ1817300	PIN, SHIFT	1	1	1	1	
10	3XJ1817800	ROLLER, SHIFT LEVER	1	1	1	1	
11	3XJ1818200	PAWL, SHIFTER	2	2	2	2	
12	90501052G5	SPRING, COMPRESSION	2	2	2	2	
13	3XJ1818400	PIN, PAWL	2	2	2	2	
14	5BE1817200	GUIDE, SHIFT	1	1	1	1	
15	9010106664	BOLT	2	2	2	2	
16	4EW1818500	SEGMENT	1	1	1	1	

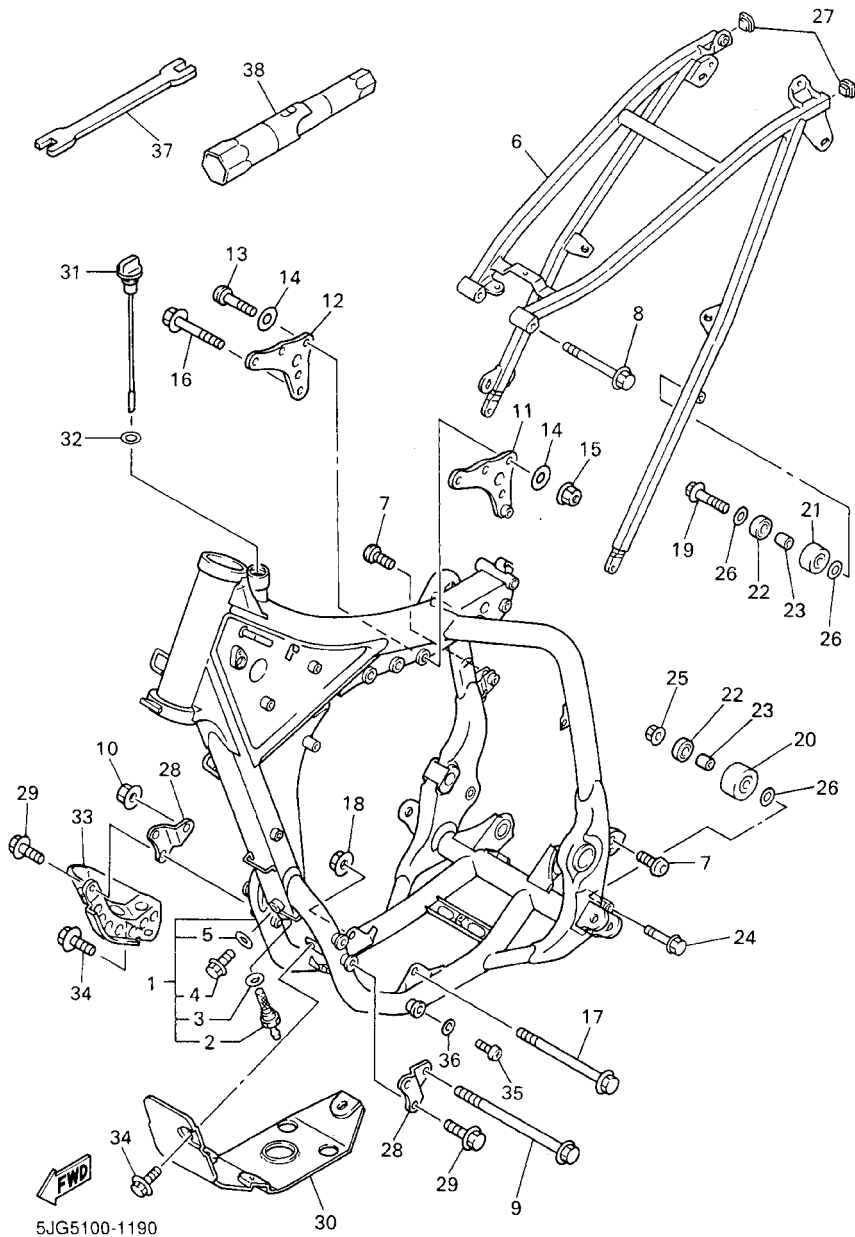
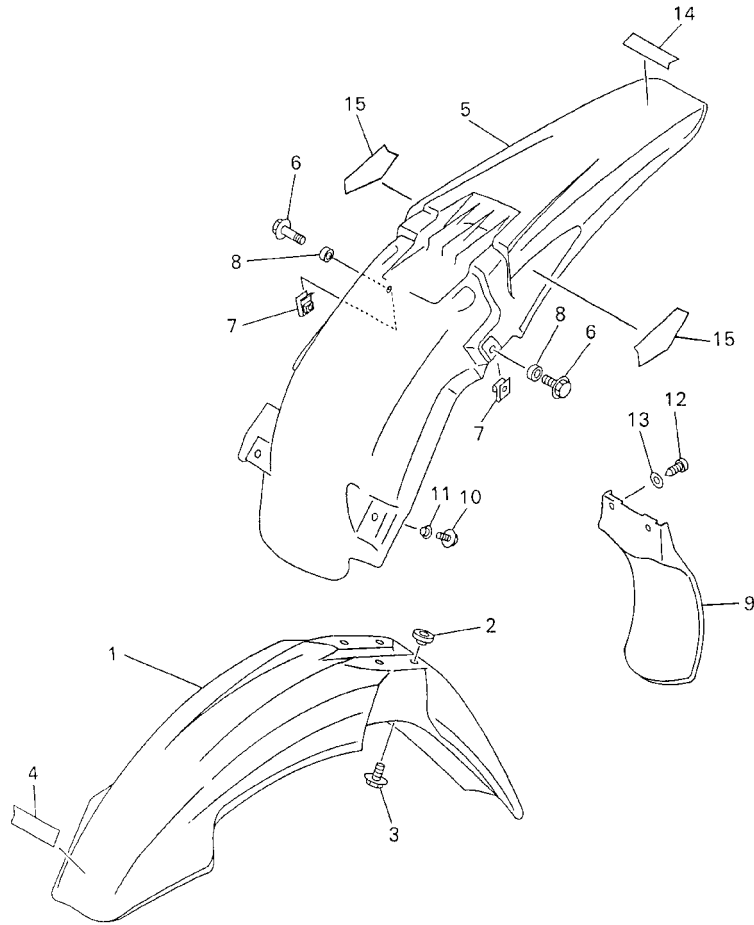


FIG. 19 FRAME

REF. NO.	PART NO.	DESCRIPTION	SSF1	SSF2	SSF3	SSF4	REMARKS
1	5SF2110100	FRONT FRAME COMP.	1	1	1	1	
2	5BE2175600	.NET, FILTER	1	1	1	1	
3	9043018130	.GASKET	1	1	1	1	
4	9582708012	.BOLT, FLANGE	1	1	1	1	
5	9043008119	.GASKET	1	1	1	1	
6	5SF2119000	REAR FRAME COMP.	1	1	1	1	
7	9011008096	BOLT, HEXAGON SOCKET HEAD	2	2	2	2	
8	9010508099	BOLT, FLANGE	1	1	1	1	
9	9581710160	BOLT, FLANGE	1	1	1	1	
10	9018510002	NUT, SELFLOCKING	1	1	1	1	
11	5GR2142501	BRACKET, REAR UPPER 1	1	1	1	1	
12	5BE2142501	BRACKET, REAR UPPER 1	1	1	1	1	
13	9201708055	BOLT, BUTTON HEAD	3	3	3	3	
14	90201086P8	WASHER, PLATE	6	6	6	6	
15	9018508169	NUT, SELFLOCKING	3	3	3	3	
16	9581710050	BOLT, FLANGE	1	1	1	1	
17	9010510733	BOLT, FLANGE	1	1	1	1	
18	9018510002	NUT, SELFLOCKING	1	1	1	1	
19	9502708040	BOLT, FLANGE	1	1	1	1	
20	3JD2217810	TENSIONER	1	1	1	1	
21	4EW2217800	TENSIONER	1	1	1	1	
22	9330060804	BEARING	2	2	2	2	
23	90387086N4	COLLAR	2	2	2	2	
24	9502708065	BOLT, FLANGE	1	1	1	1	
25	9570708500	NUT, FLANGE	1	1	1	1	
26	90201086P8	WASHER, PLATE	3	3	3	3	
27	9033816148	PLUG	2	2	2	2	

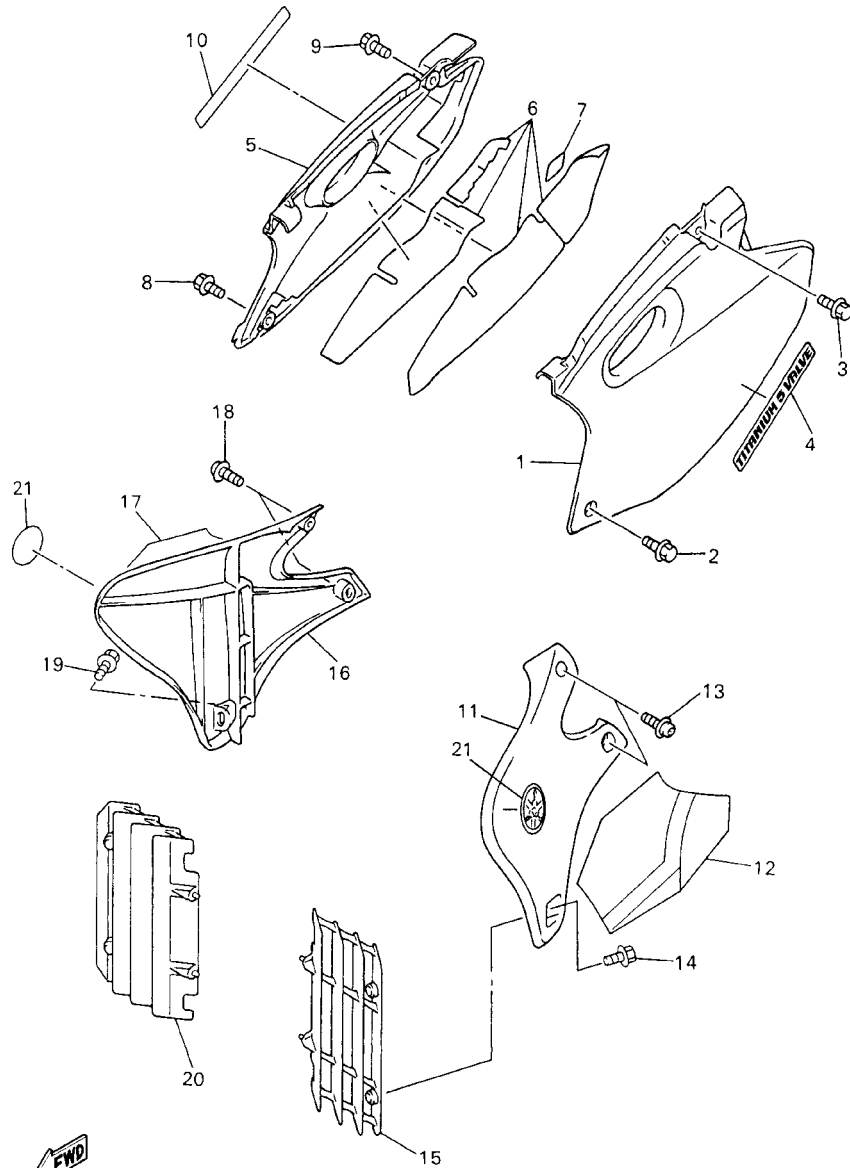
FIG. 20 FENDER

REF. NO.	PART NO.	DESCRIPTION	5SF1	5SF2	5SF3	5SF4	REMARKS
1	5HD-21511-00	FENDER, FRONT	1	1	1	1	
2	3JD-21748-00	COLLAR	4	4	4	4	
3	90119-06096	BOLT, WITH WASHER	4	4	4	4	
4	4ES-2153E-01	EMBLEM, YAMAHA	1	1	1	1	
5	5BE-21611-10	FENDER, REAR	1	1	1	1	
6	90105-06553	BOLT, FLANGE	2	2	2	2	
7	90183-06023	NUT, SPRING	2	2	2	2	
8	90387-0701A	COLLAR	2	2	2	2	
9	5BE-21642-00	GUARD, FLAP	1	1	1	1	
10	90105-06690	BOLT, FLANGE	2	2	2	2	
11	90387-06009	COLLAR	2	2	2	2	
12	97707-60016	SCREW, TAPPING	2	2	2	2	
13	90201-06557	WASHER, PLATE	2	2	2	2	
14	4ES-2153E-01	EMBLEM, YAMAHA	1	1	1	1	
15	5SF-2163G-00	EMBLEM 1	2	2	2	2	



5SF1100-2200

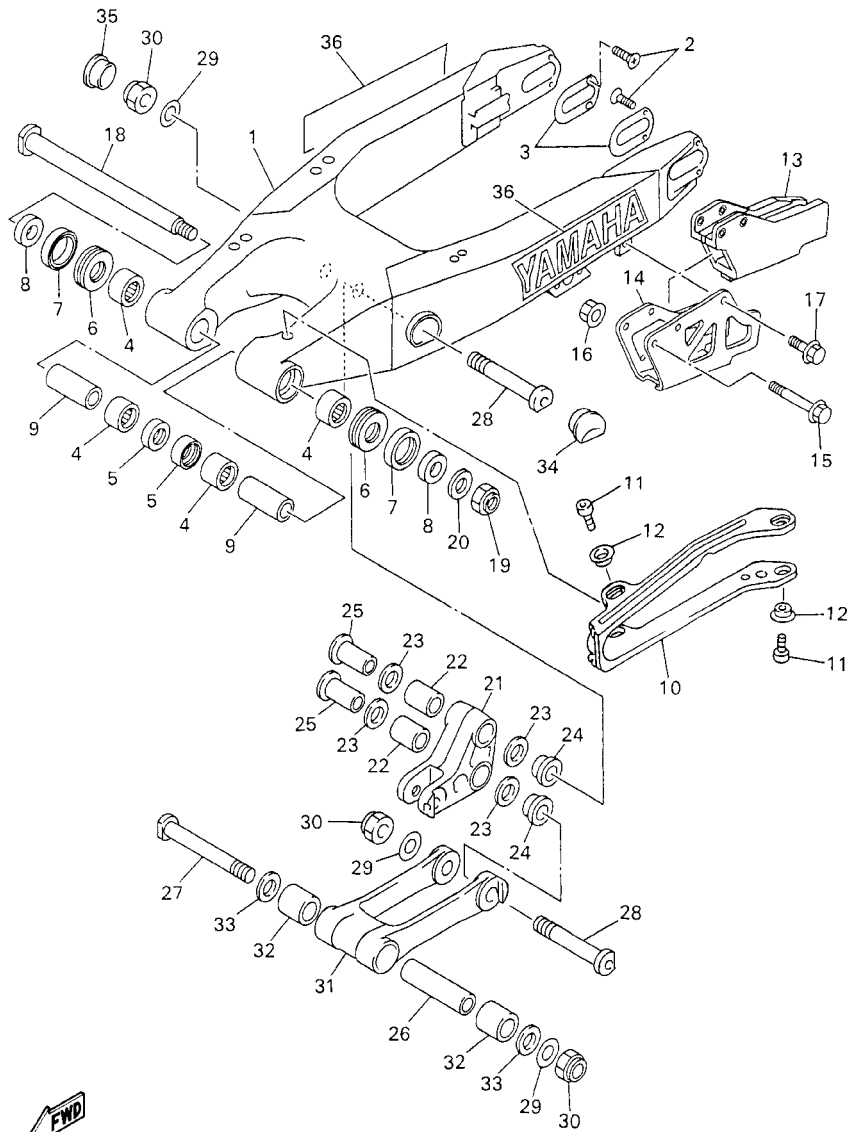
FIG. 21 SIDE COVER



5SF1100-2210

REF. NO.	PART NO.	DESCRIPTION	5SF1	5SF2	5SF3	5SF4	REMARKS
1	5BE-21711-00	COVER, SIDE 1	1	1	1	1	
2	95827-06016	BOLT, FLANGE	1	1	1	1	
3	90119-08238	BOLT, WITH WASHER	1	1	1	1	
4	5JG-21781-50	EMBLEM 1	1	1	1	1	
5	5BE-21721-00	COVER, SIDE 2	1	1	1	1	
6	5SF-2174A-00	INSULATOR, SIDE COVER	1	1	1	1	
7	3FY-21575-01	SEAL 1	1	1	1	1	
8	95827-06016	BOLT, FLANGE	1	1	1	1	
9	90119-08238	BOLT, WITH WASHER	1	1	1	1	
10	5JG-21781-50	EMBLEM 1	1	1	1	1	
11	5JG-21731-01	COVER, SIDE 3	1	1	1	1	
12	5SF-2173E-01	GRAPHIC 1	1	1	1	1	
13	90159-06182	SCREW, WITH WASHER	2	2	2	2	
14	90159-06078	SCREW, WITH WASHER	1	1	1	1	
15	5JG-2172A-10	PANEL 1	1	1	1	1	
16	5JG-21741-01	COVER, SIDE 4	1	1	1	1	
17	5SF-2173F-01	GRAPHIC 2	1	1	1	1	
18	90159-06182	SCREW, WITH WASHER	2	2	2	2	
19	90159-06078	SCREW, WITH WASHER	1	1	1	1	
20	5JG-2172A-10	PANEL 1	1	1	1	1	
21	5MV-2175C-00	TUNING FORK MARK	2	2	2	2	

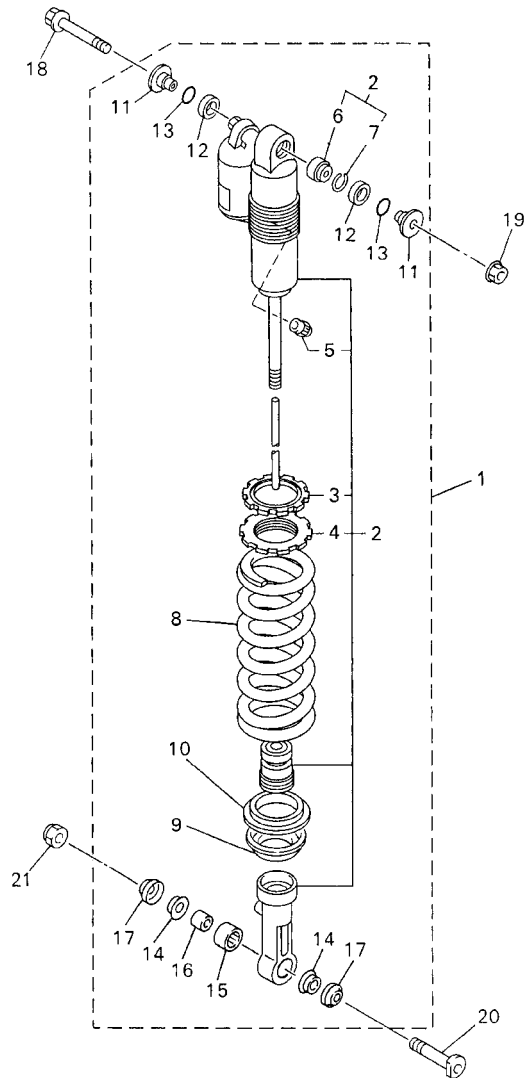
FIG. 22 REAR ARM



5SF1100-2220

REF. NO.	PART NO.	DESCRIPTION	5SF1	5SF2	5SF3	5SF4	REMARKS
1	5NY-22110-00	REAR ARM COMP.	1	1	1	1	
2	90151-04048	SCREW, COUNTERSUNK	4	4	4	4	
3	5NY-22355-00	PATCH	2	2	2	2	
4	93317-22262	BEARING	4	4	4	4	
5	93106-22019	OIL SEAL (DC 22-28-8)	2	2	2	2	
6	93342-22217	BEARING	2	2	2	2	
7	93109-28043	OIL SEAL	2	2	2	2	
8	90387-18005	COLLAR	2	2	2	2	
9	90387-18004	COLLAR	2	2	2	2	
10	5MV-22151-00	SEAL, GUARD	1	1	1	1	
11	91317-05008	BOLT	4	4	4	4	
12	5JG-22156-00	WASHER, PLATE	4	4	4	4	
13	4XM-22199-00	SUPPORT, CHAIN	1	1	1	1	
14	4XM-22128-00	COVER, THRUST 1	1	1	1	1	
15	95027-06050	BOLT, FLANGE	2	2	2	2	
16	90179-06568	NUT	2	2	2	2	
17	95027-06010	BOLT, FLANGE	1	1	1	1	
18	5NY-22141-00	SHAFT, PIVOT	1	1	1	1	
19	90185-16127	NUT, SELF-LOCKING	1	1	1	1	
20	90201-160F6	WASHER, PLATE	1	1	1	1	
21	5NY-2217A-00	ARM, RELAY	1	1	1	1	
22	93315-32056	BEARING	2	2	2	2	
23	93109-20076	OIL SEAL	4	4	4	4	
24	90387-16005	COLLAR	2	2	2	2	
25	90387-16007	COLLAR	2	2	2	2	
26	90387-167Y9	COLLAR	1	1	1	1	
27	5NY-22121-00	SHAFT 1	1	1	1	1	

FIG. 23 REAR SUSPENSION

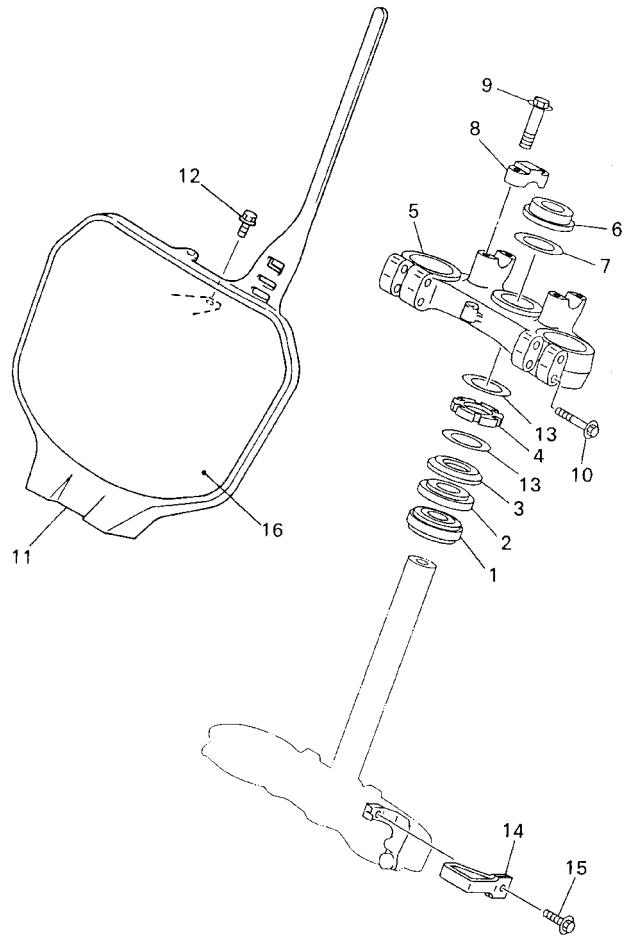


5SF1100-2230

REF. NO.	PART NO.	DESCRIPTION	5SF1	5SF2	5SF3	5SF4	REMARKS
1	5SF-22210-40	SHOCK ABSORBER ASSY, REAR				1	UR
2	5SF-22201-40	.DAMPER SUB ASSY				1	UR
3	3SP-22234-00	..GUIDE, SPRING 3	1	1	1	1	
4	3SP-22213-00	..SEAT, SPRING UPPER	1	1	1	1	
5	509-23184-L0	..CAP, AIR VALVE	1	1	1	1	
6	4JX-22226-00	..BUSH, SHOCK ABSORBER LOWER	1	1	1	1	
7	5DH-23183-00	..CIRCLIP	1	1	1	1	
8	5SF-22212-00	..SPRING (K=5.4)	1		1	1	
9	5DH-22214-00	..GUIDE, SPRING 1	1	1	1	1	
10	5MV-22224-00	..GUIDE, SPRING 2	1	1	1	1	
11	5DH-22253-00	..COLLAR, DISTANCE	2	2	2	2	
12	3JE-22475-00	..SEAL, DUST	2	2	2	2	
13	4EW-22474-00	..SEAL, RING	2	2	2	2	
14	5MV-22253-00	..COLLAR, DISTANCE	2	2	2	2	
15	5MV-22176-00	..BEARING	1	1	1	1	
16	5MV-22184-00	..BUSH	1	1	1	1	
17	5NY-22475-00	..SEAL, DUST	2	2	2	2	
18	90105-10323	BOLT, FLANGE	1	1	1	1	

D6

FIG. 24 STEERING

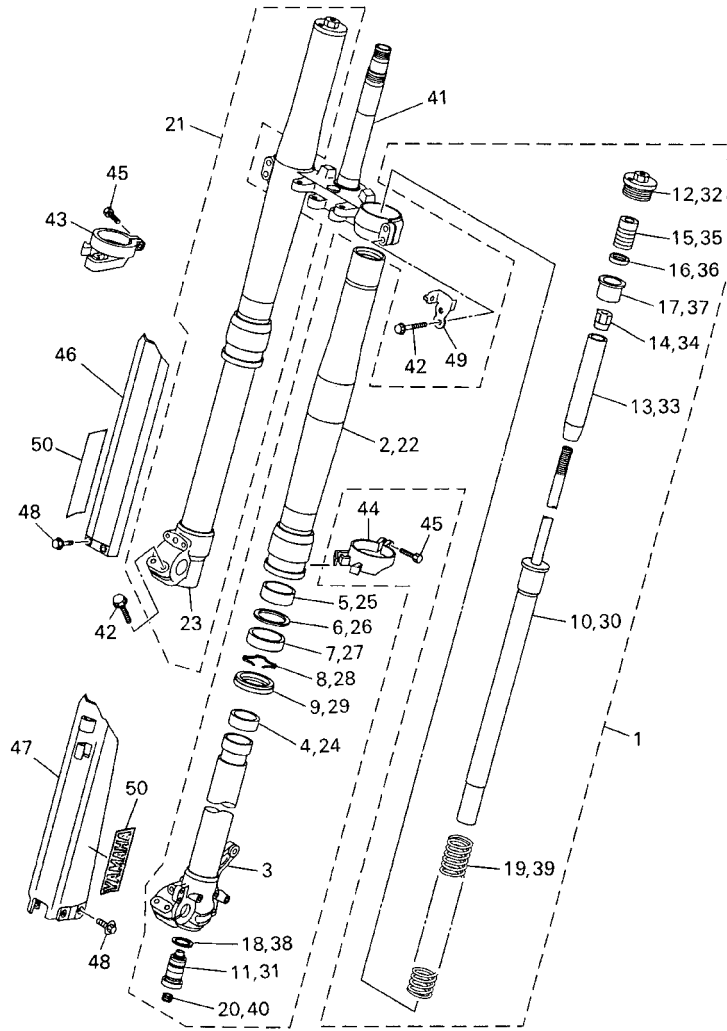


REF. NO.	PART NO.	DESCRIPTION	5SF1	5SF2	5SF3	5SF4	REMARKS
1	93332-00081	BEARING	1	1	1	1	
2	93332-00068	BEARING	1	1	1	1	
3	4EW-23416-00	COVER, BALL RACE 2	1	1	1	1	
4	90179-28650	NUT	1	1	1	1	
5	5NL-23435-00	CROWN, HANDLE	1	1	1	1	
6	90170-24373	NUT	1	1	1	1	
7	90201-247L2	WASHER, PLATE	1	1	1	1	
8	3SP-23441-00	HOLDER, HANDLE UPPER	2	2	2	2	
9	95027-08035	BOLT, FLANGE	4	4	4	4	
10	95027-08040	BOLT, FLANGE	4	4	4	4	
11	5HD-23485-00	PLATE, NUMBER	1	1	1	1	
12	95027-06014	BOLT, FLANGE	1	1	1	1	
13	90201-286K9	WASHER, PLATE	2	2	2	2	
14	4DA-23389-00	GUIDE, CABLE	1	1	1	1	
15	90119-05071	BOLT, WITH WASHER	1	1	1	1	
16	5HD-2339E-00	GRAPHIC 1	1	1	1	1	



5JG1100-0240

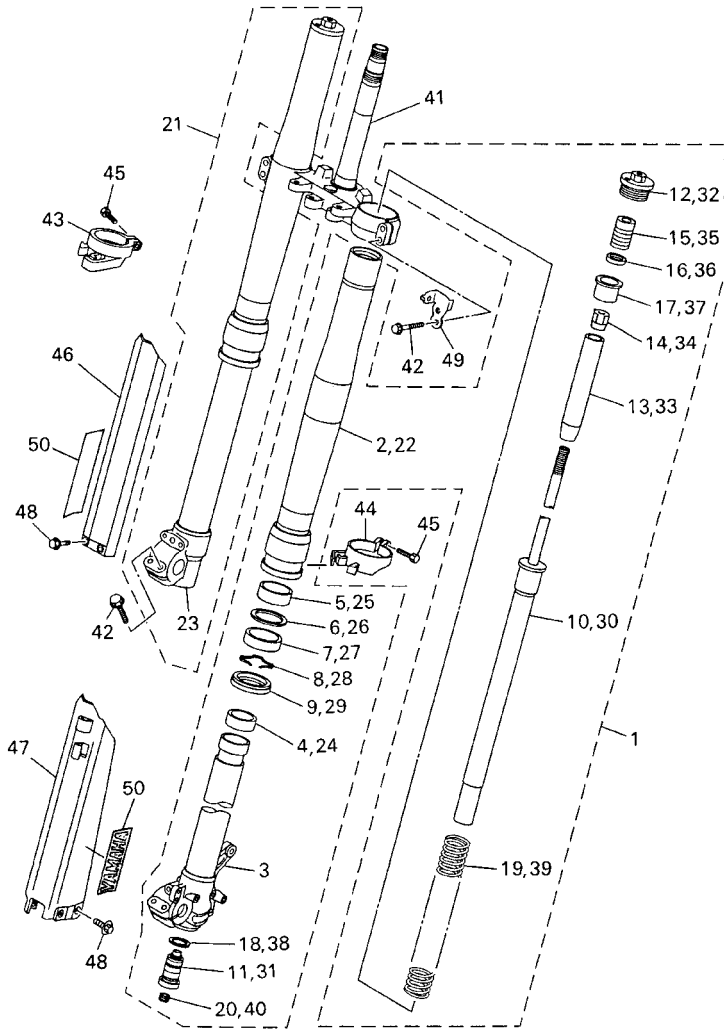
FIG. 25 FRONT FORK



REF. NO.	PART NO.	DESCRIPTION	5SF1	5SF2	5SF3	5SF4	REMARKS
1	5SF-23102-00	FRONT FORK ASSY (L.H)	1		1	1	
2	5HD-23136-L0	.TUBE, OUTER (RIGHT)	1	1	1	1	
3	5DH-23120-L0	.INNER TUBE COMP.2	1	1	1	1	
4	5ET-23171-L0	.PISTON, FRONT FORK	1	1	1	1	
5	5ET-23125-L0	.METAL, SLIDE 1	1	1	1	1	
6	4SS-23146-L0	.WASHER, OIL SEAL	1	1	1	1	
7	5ET-23145-L0	.OIL SEAL	1	1	1	1	
8	4SS-23153-L0	.RING, SNAP	1	1	1	1	
9	5HD-23144-L0	.SEAL, DUST	1	1	1	1	
10	5SF-23170-00	.CYLINDER COMP., FRONT FORK	1	1	1	1	
11	5SF-2316A-00	.VALVE COMP.	1	1	1	1	
12	5NY-23111-L0	.BOLT, CAP	1	1	1	1	
13	5DH-23142-L0	.SEAT, SPRING UPPER	1	1	1	1	
14	5HD-23393-L0	.NUT, SPECIAL	1	1	1	1	
15	5MV-23195-L0	.RUBBER	1	1	1	1	
16	5DH-23149-L0	.WASHER, SPRING UPPER	1	1	1	1	
17	5DH-23118-L0	.SPACER	1	1	1	1	
18	4SS-23158-L0	.GASKET	1	1	1	1	
19	5GR-23141-L0	.SPRING, FRONT FORK (K=0.46)	1		1	1	
20	3JD-2312G-L0	.PLUG	1	1	1	1	
21	5SF-23103-00	FRONT FORK ASSY (R.H)	1		1	1	
22	5HD-23136-L0	.TUBE, OUTER (RIGHT)	1	1	1	1	
23	5BF-23110-L0	.INNER TUBE COMP.1	1	1	1	1	
24	5ET-23171-L0	.PISTON, FRONT FORK	1	1	1	1	



FIG. 25 FRONT FORK

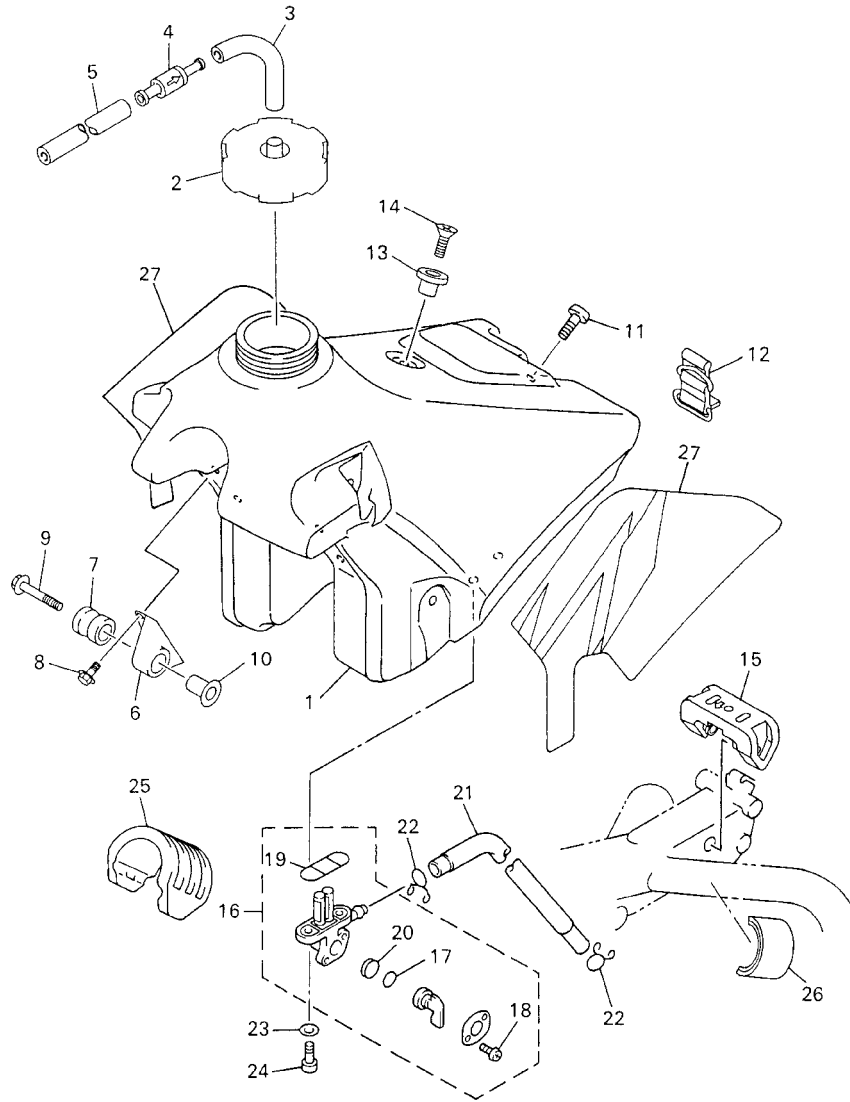


REF. NO.	PART NO.	DESCRIPTION	5SF1	5SF2	5SF3	5SF4	REMARKS
25	5ET-23125-L0	.METAL, SLIDE 1	1	1	1	1	
26	4SS-23146-L0	.WASHER, OIL SEAL	1	1	1	1	
27	5ET-23145-L0	.OIL SEAL	1	1	1	1	
28	4SS-23153-L0	.RING, SNAP	1	1	1	1	
29	5HD-23144-L0	.SEAL, DUST	1	1	1	1	
30	5SF-23170-00	.CYLINDER COMP., FRONT FORK	1	1	1	1	
31	5SF-2316A-00	.VALVE COMP.	1	1	1	1	
32	5NY-23111-L0	.BOLT, CAP	1	1	1	1	
33	5DH-23142-L0	.SEAT, SPRING UPPER	1	1	1	1	
34	5HD-23393-L0	.NUT, SPECIAL	1	1	1	1	
35	5MV-23195-L0	.RUBBER	1	1	1	1	
36	5DH-23149-L0	.WASHER, SPRING UPPER	1	1	1	1	
37	5DH-23118-L0	.SPACER	1	1	1	1	
38	4SS-23158-L0	.GASKET	1	1	1	1	
39	5GR-23141-L0	.SPRING, FRONT FORK (K=0.46)	1		1	1	
40	3JD-2312G-L0	.PLUG	1	1	1	1	
41	5NX-23340-L0	UNDER BRACKET COMP.	1	1	1	1	
42	5NY-23346-L0	BOLT 1	8	8	8	8	
43	4SS-2314G-L0	PROTECTOR GUIDE COMP., 2	1	1	1	1	
44	5DH-2314F-L0	PROTECTOR GUIDE COMP., 1	1	1	1	1	
45	4SS-23346-L0	BOLT 1	2	2	2	2	
46	5DH-2314J-00	PROTECTOR COMP., 2	1	1	1	1	
47	5DH-2314H-00	PROTECTOR COMP., 1	1	1	1	1	
48	3SP-23356-L0	BOLT 2	6	6	6	6	
49	5HC-2331E-00	GUIDE, CABLE	1	1	1	1	
50	4XL-2153A-10	EMBLEM, YAMAHA	2	2	2	2	



5JG5100-1250

FIG. 26 FUEL TANK

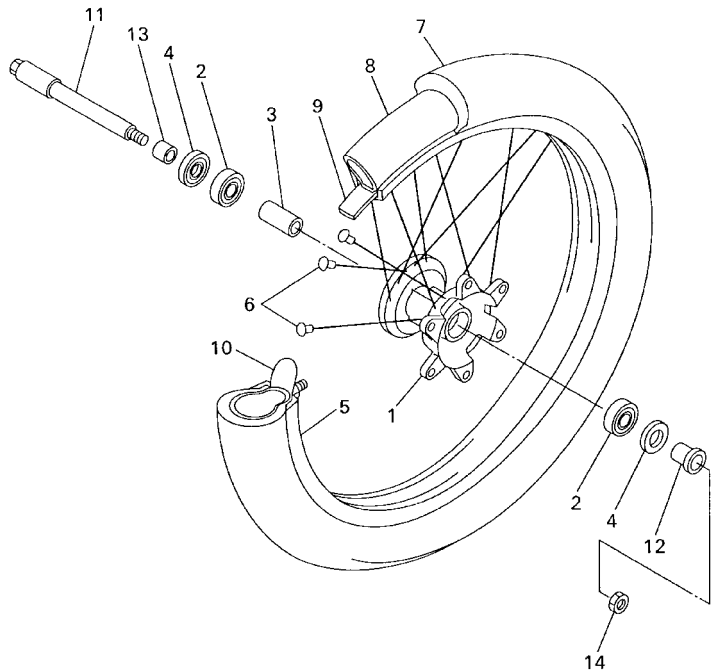


5SF1100-2260

REF. NO.	PART NO.	DESCRIPTION	5SF1	5SF2	5SF3	5SF4	REMARKS
1	5JG-24110-50	FUEL TANK COMP.	1	1	1	1	
2	5MV-24610-00	CAP ASSY	1	1	1	1	
3	90445-09220	HOSE	1	1	1	1	
4	3XJ-24380-00	PIPE JOINT ASSY	1	1	1	1	
5	90445-09104	HOSE	1	1	1	1	
6	24X-24144-00	HOLDER, DAMPER	2	2	2	2	
7	90480-18549	GROMMET	2	2	2	2	
8	95027-06016	BOLT, FLANGE	4	4	4	4	
9	90119-06214	BOLT, WITH WASHER	2	2	2	2	
10	3JD-24186-00	WASHER, SPECIAL	2	2	2	2	
11	98907-06020	SCREW, BIND	1	1	1	1	
12	5SF-24173-00	BAND, TANK FITTING 1	1	1	1	1	
13	4EW-2412F-00	BRACKET, SEAT	1	1	1	1	
14	98707-06025	SCREW, FLAT HEAD	1	1	1	1	
15	4SS-24181-00	DAMPER, LOCATING 1	1	1	1	1	
16	4DP-24500-00	FUEL COCK ASSY 1	1	1	1	1	
17	3AJ-24534-00	.SEAL, COCK	1	1	1	1	
18	97801-03008	.SCREW, PAN HEAD	2	2	2	2	
19	4X8-24512-00	.O-RING	1	1	1	1	
20	3AJ-24523-00	.VALVE PACKING	1	1	1	1	
21	90445-11002	HOSE (L195)	1	1	1	1	
22	90467-10008	CLIP	2	2	2	2	
23	90202-05193	WASHER, PLATE	2	2	2	2	
24	90149-06011	SCREW	2	2	2	2	
25	5BE-24182-00	DAMPER, LOCATING 2	1	1	1	1	
26	3V6-22358-00	SEAL 1	2	2	2	2	
27	5SF-24240-01	GRAPHIC SET	1	1	1	1	

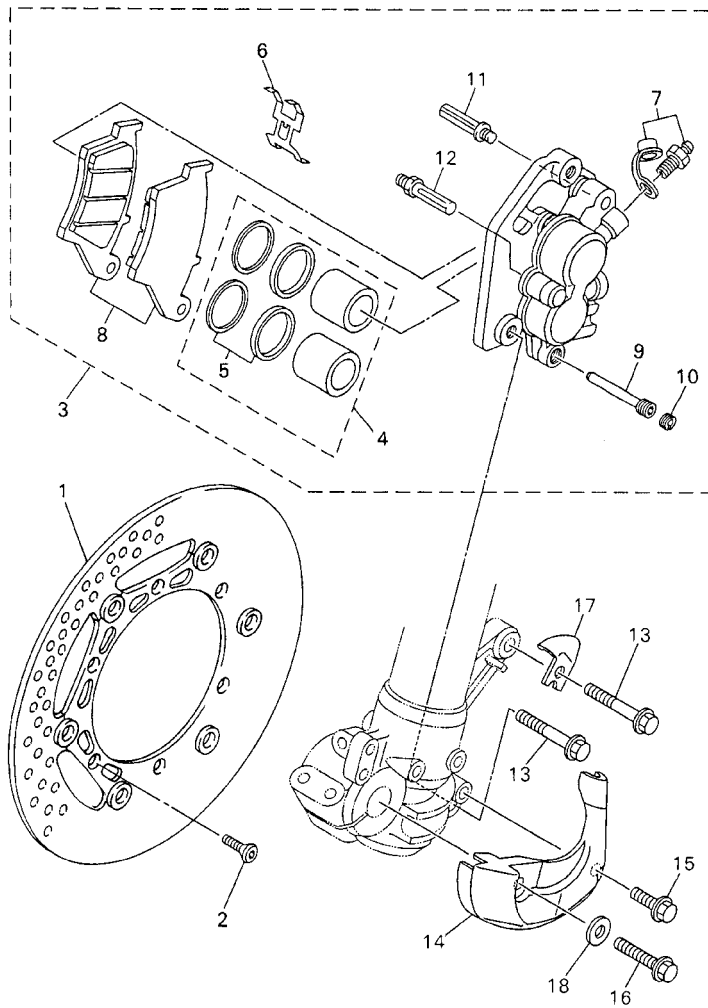
FIG. 28 FRONT WHEEL

REF. NO.	PART NO.	DESCRIPTION	5SF1	5SF2	5SF3	5SF4	REMARKS
1	5NY-25111-00	HUB, FRONT	1	1	1	1	
2	93306-90403	BEARING	2	2	2	2	
3	5NY-25117-00	SPACER, BEARING	1	1	1	1	
4	93102-26468	OIL SEAL	2	2	2	2	
5	94416-21003	RIM (1.60-21)	1	1	1	1	
6	5NY-25104-00	SPOKE SET, FRONT	1	1	1	1	
7		TYRE (80/100-21 51M D739F)	1			1	
8		TUBE (80/100-21 TR4 BTL)	1	1		1	
9	94309-21161	BAND, RIM (70-80/100-21)	1	1		1	
10	5SF-25394-00	SPACER, BEAD	1	1	1	1	
11	5BE-25181-00	AXLE, WHEEL	1	1	1	1	
12	5NY-25183-00	COLLAR, WHEEL	1	1	1	1	
13	5NY-25186-00	COLLAR, WHEEL	1	1	1	1	
14	90179-16672	NUT	1	1	1	1	



5BE100-8280

FIG. 29 FRONT BRAKE CALIPER

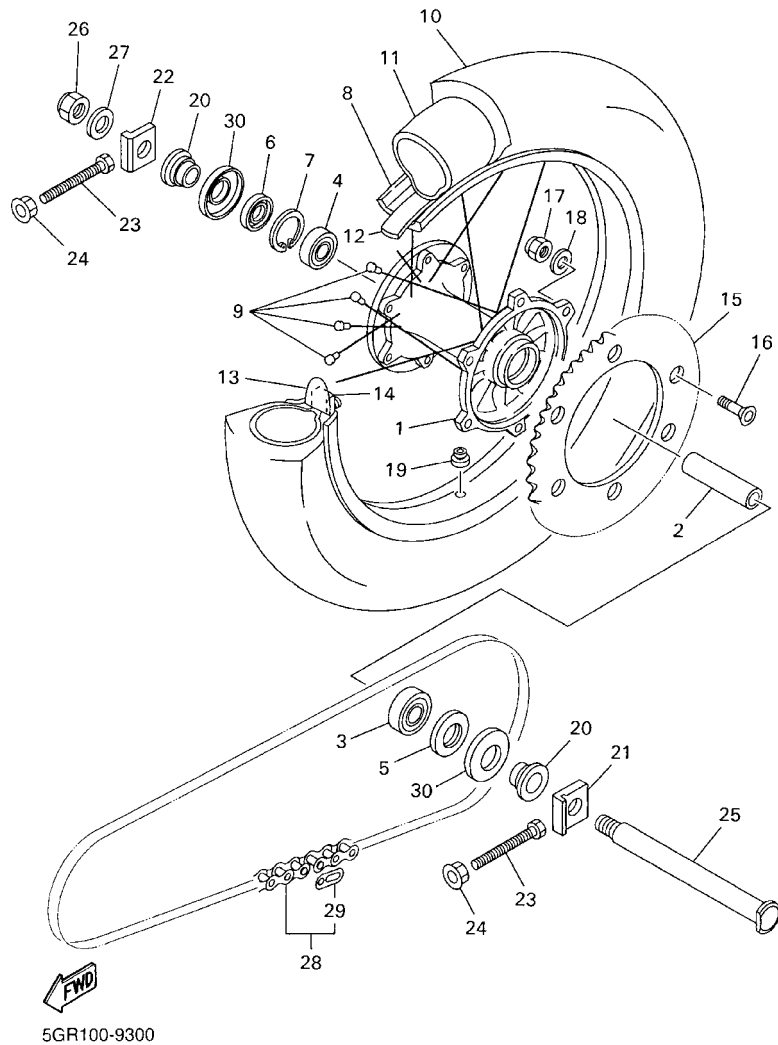


REF. NO.	PART NO.	DESCRIPTION	5SF1	5SF2	5SF3	5SF4	REMARKS
1	5MV-2581T-00	DISC BRAKE ASSY	1	1	1	1	
2	90149-06327	SCREW	6	6	6	6	
3	5MV-2580T-10	CALIPER ASSY (LEFT)	1	1	1	1	
4	4EW-W0057-00	.PISTON ASSY, CALIPER	1	1	1	1	
5	3JD-W0047-00	..CALIPER SEAL KIT	1	1	1	1	
6	5DH-25919-00	.SUPPORT, PAD	1	1	1	1	
7	1UY-W0048-50	.BLEED SCREW KIT	1	1	1	1	
8	5MV-W0045-00	.BRAKE PAD KIT	1	1	1	1	
9	5DH-25933-00	.PIN, PAD	1	1	1	1	
10	5DH-25916-00	.PLUG	1	1	1	1	
11	3SP-25926-51	.BOLT	1	1	1	1	
12	3SP-25914-51	.PIN, SLIDE	1	1	1	1	
13	90105-08659	BOLT, FLANGE	2	2	2	2	
14	5DH-2314E-00	COVER, HOSE	1	1	1	1	
15	95827-06012	BOLT, FLANGE	1	1	1	1	
16	95027-08020	BOLT, FLANGE	1	1	1	1	
17	5DH-25875-00	HOLDER, BRAKE HOSE 1	1	1	1	1	
18	92907-08200	WASHER	1	1	1	1	



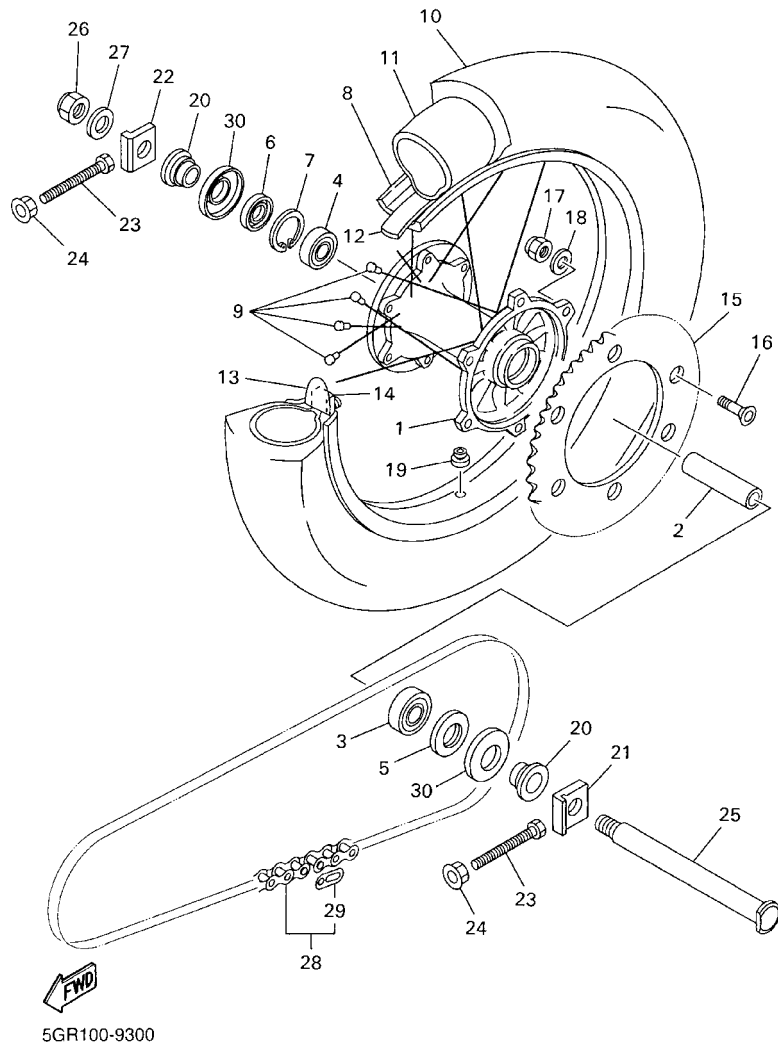
5SF1100-2290

FIG. 30 REAR WHEEL



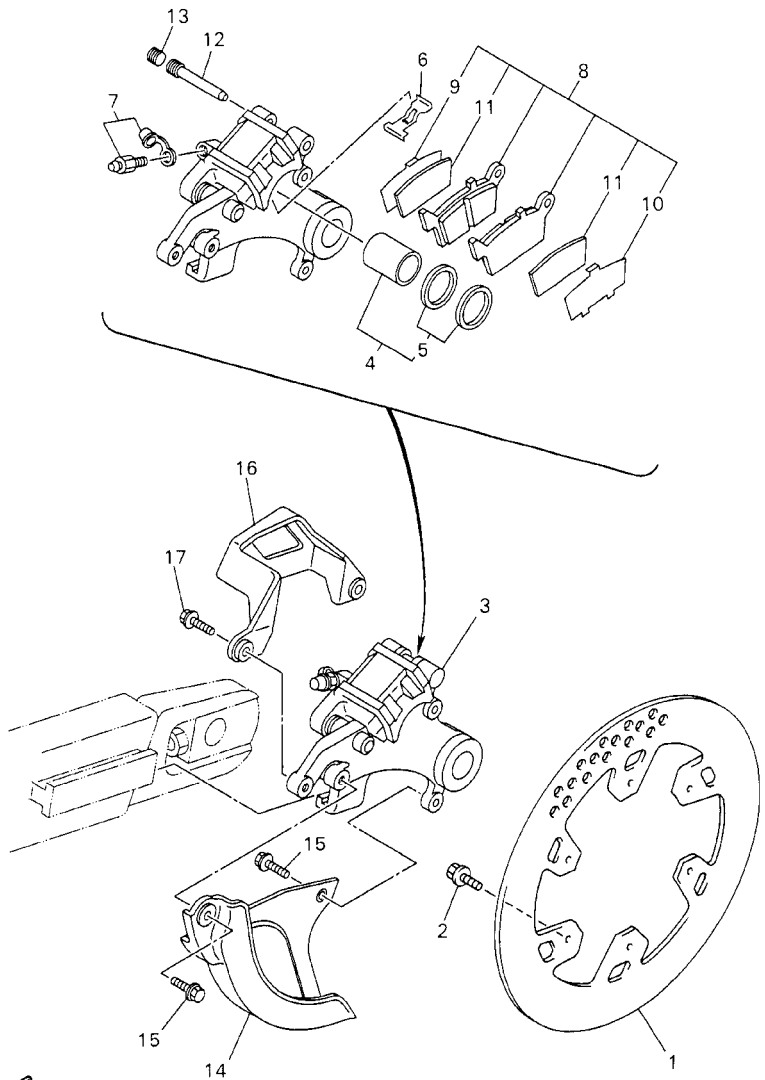
REF. NO.	PART NO.	DESCRIPTION	SSF1	SSF2	SSF3	SSF4	REMARKS
1	5ET-25311-00	HUB, REAR	1	1	1	1	
2	5ET-25317-00	SPACER, BEARING	1	1	1	1	
3	93306-27205	BEARING	1	1	1	1	
4	93306-07202	BEARING	1	1	1	1	
5	93106-30044	OIL SEAL	1	1	1	1	
6	93106-30045	OIL SEAL	1	1	1	1	
7	99009-45500	CIRCLIP	1	1	1	1	
8	94421-19602	RIM (2.15-19)	1	1	1	1	
9	5HD-25304-00	SPOKE SET, REAR	1	1	1	1	
10		TYRE (110/90-19 62M D739)	1			1	
11		TUBE (110/90 110/100-19TR4)	1	1		1	
12	94311-19155	BAND, RIM (110/90 110/100-19)	1	1		1	
13	3JE-25394-00	SPACER, BEAD	1	1	1	1	
14	4XM-25364-00	DAMPER	1	1	1	1	
15	5NY-25449-00	SPROCKET, DRIVEN (49T)	1		1	1	STD
	5NY-25448-00	SPROCKET, DRIVEN (48T)				1	AP
	5ET-25447-00	SPROCKET, DRIVEN (47T)	1	1	1	1	AP
	5NY-25448-00	SPROCKET, DRIVEN (48T)	1		1	1	AP
	5NY-25449-00	SPROCKET, DRIVEN (49T)				1	AP
	5NY-25450-00	SPROCKET, DRIVEN (50T)	1	1	1	1	AP

FIG. 30 REAR WHEEL



REF. NO.	PART NO.	DESCRIPTION	SSF1	SSF2	SSF3	SSF4	REMARKS
15	5NY-25451-00	SPROCKET, DRIVEN (51T)	1	1	1	1	AP
	5NY-25452-00	SPROCKET, DRIVEN (52T)	1	1	1	1	AP
16	90109-081G1	BOLT	6	6	6	6	
17	90185-08169	NUT, SELF-LOCKING	6	6	6	6	
18	90201-08326	WASHER, PLATE	6	6	6	6	
19	90480-08608	GROMMET	1	1	1	1	
20	5NY-25383-00	COLLAR, WHEEL	2	2	2	2	
21	5NY-25388-00	PULLER, CHAIN 1	1	1	1	1	
22	5NY-25389-00	PULLER, CHAIN 2	1	1	1	1	
23	90101-08777	BOLT	2	2	2	2	
24	90179-08299	NUT	2	2	2	2	
25	5ET-25381-00	AXLE, WHEEL	1	1	1	1	
26	90185-20168	NUT, SELF-LOCKING	1	1	1	1	
27	90201-203U1	WASHER, PLATE	1	1	1	1	
28	9Y581-92113	CHAIN	1	1	1	1	
29	94681-68001	JOINT, CHAIN	1	1	1	1	
30	5ET-25367-00	COVER, HUB DUST	2	2	2	2	

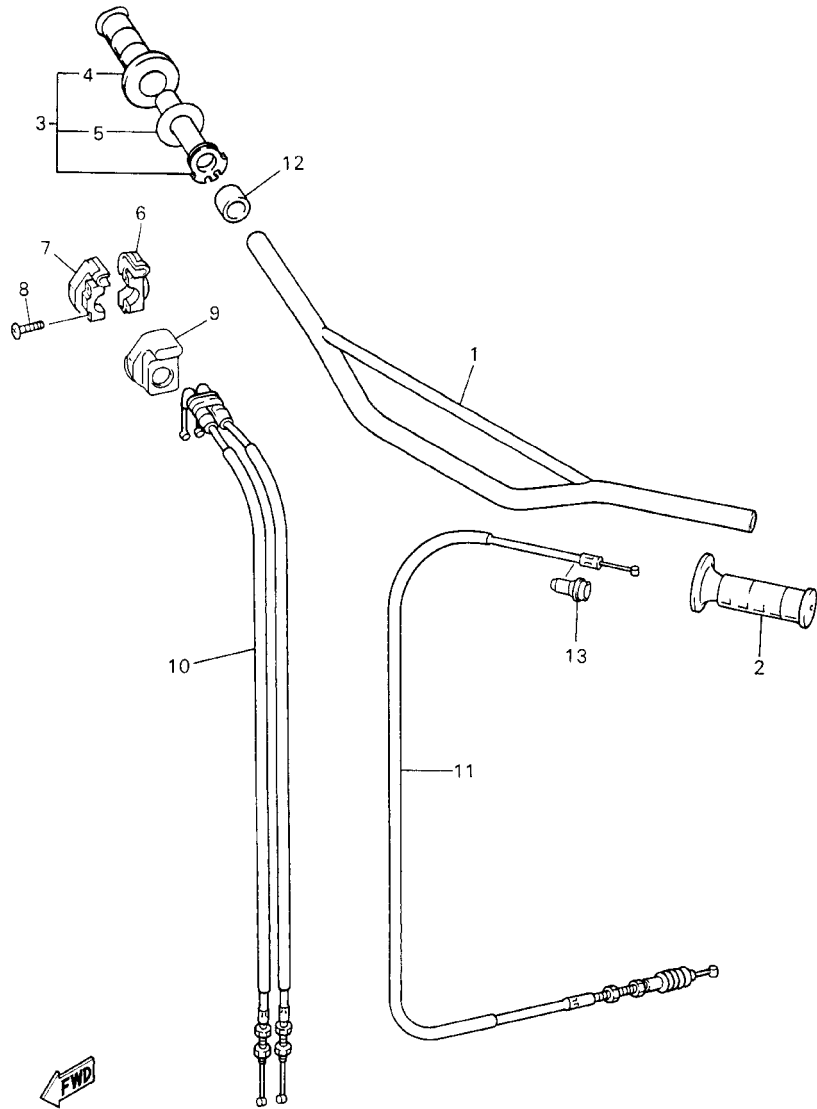
FIG. 31 REAR BRAKE CALIPER



REF. NO.	PART NO.	DESCRIPTION	5SF1	5SF2	5SF3	5SF4	REMARKS
1	5NY-2582W-00	DISC, REAR BRAKE 2	1	1	1	1	
2	90109-065G4	BOLT	6	6	6	6	
3	5NY-2580W-00	CALIPER ASSY, REAR 2	1	1	1	1	
4	5ET-W0057-50	.PISTON ASSY, CALIPER	1	1	1	1	
5	5ET-W0047-50	..CALIPER SEAL KIT	1	1	1	1	
6	5DH-25919-50	..SUPPORT, PAD	1	1	1	1	
7	1UY-W0048-50	..BLEED SCREW KIT	1	1	1	1	
8	5GR-W0046-00	..BRAKE PAD KIT 2	1	1	1	1	
9	5DH-25828-50	..SHIM, CALIPER	1	1	1	1	
10	5DH-25827-50	..SHIM, CALIPER	1	1	1	1	
11	5GR-22898-50	..INSULATOR, HEAT	2	2	2	2	
12	8CR-25924-00	..PIN, PAD	1	1	1	1	
13	5DH-25916-00	..PLUG	1	1	1	1	
14	5DH-25718-01	PROTECTOR, DISK BRAKE	1	1	1	1	
15	95027-06012	BOLT, FLANGE	2	2	2	2	
16	4GY-27491-00	PROTECTOR	1	1	1	1	
17	95027-06016	BOLT, FLANGE	2	2	2	2	

FWD
5SF1100-2310

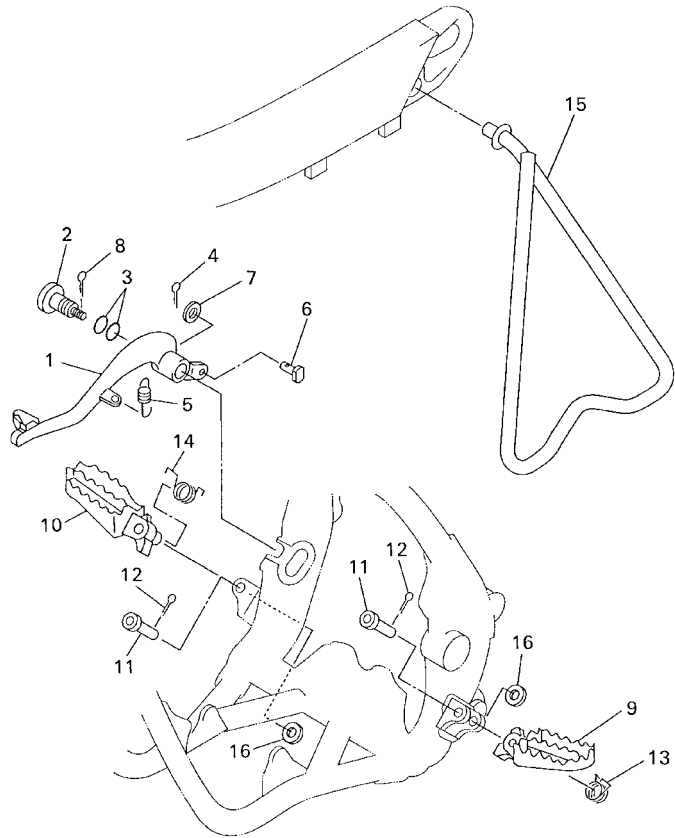
FIG. 32 STEERING HANDLE. CABLE



5SF1100-2320

REF. NO.	PART NO.	DESCRIPTION	5SF1	5SF2	5SF3	5SF4	REMARKS
1	4XM-26111-00	HANDLEBAR	1	1	1	1	
2	4GY-26241-00	GRIP	1	1	1	1	
3	5BE-26240-00	GRIP ASSY	1	1	1	1	
4	4GY-26242-00	.GRIP (RIGHT)	1	1	1	1	
5	3Y1-26249-00	.RING, LEAF	1	1	1	1	
6	5BE-26281-00	CAP, GRIP UPPER	1	1	1	1	
7	5BE-26282-00	CAP, GRIP LOWER	1	1	1	1	
8	98507-05020	SCREW, PAN HEAD	2	2	2	2	
9	5SF-26287-00	COVER, CAP GRIP	1	1	1	1	
10	5SF-26302-00	THROTTLE CABLE ASSY	1	1	1	1	
11	5SF-26335-00	CABLE, CLUTCH	1	1	1	1	
12	90387-225N2	COLLAR	1	1	1	1	
13	5HD-26342-00	BOOT, CABLE	1	1	1	1	

FIG. 34 STAND, FOOTREST

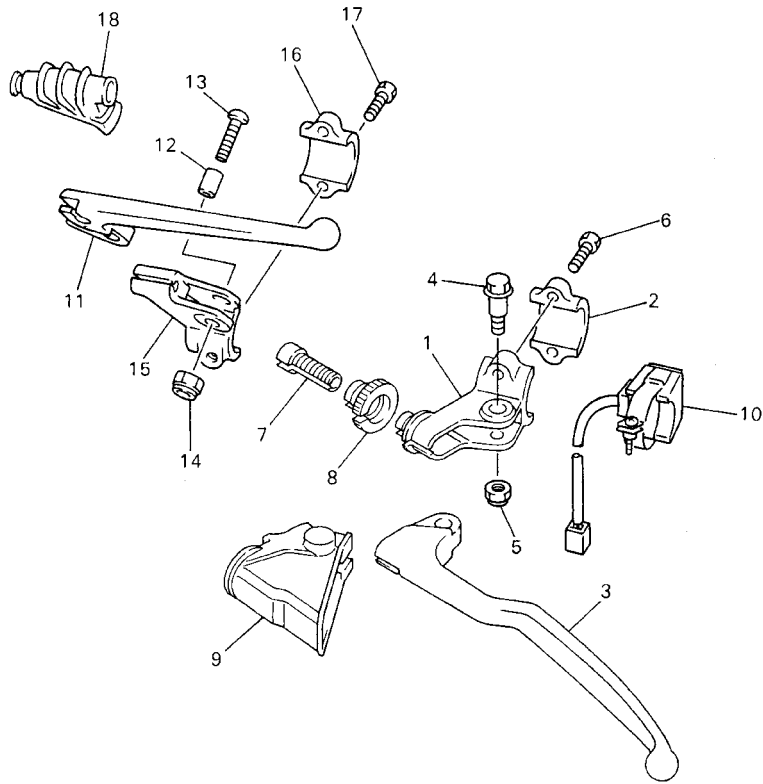


REF. NO.	PART NO.	DESCRIPTION	SSF1	SSF2	SSF3	SSF4	REMARKS
1	4XM-27200-00	PEDAL, BRAKE	1	1	1	1	
2	5JG-27217-00	BOLT	1	1	1	1	
3	93210-11073	O-RING	2	2	2	2	
4	91401-20012	PIN, COTTER	1	1	1	1	
5	90506-16500	SPRING, TENSION	1	1	1	1	
6	90240-08120	PIN, CLEVIS	1	1	1	1	
7	90201-08089	WASHER, PLATE	1	1	1	1	
8	90468-16191	CLIP	1	1	1	1	
9	5ET-27411-00	FOOTREST 1	1	1	1	1	
10	5ET-27421-00	FOOTREST 2	1	1	1	1	
11	90240-10142	PIN, CLEVIS	2	2	2	2	
12	91401-25015	PIN, COTTER	2	2	2	2	
13	90508-282B8	SPRING, TORSION	1	1	1	1	
14	90508-282B9	SPRING, TORSION	1	1	1	1	
15	5ET-27311-00	STAND, SIDE	1	1	1	1	
16	90201-10119	WASHER, PLATE	2	2	2	2	



5BE100-8340

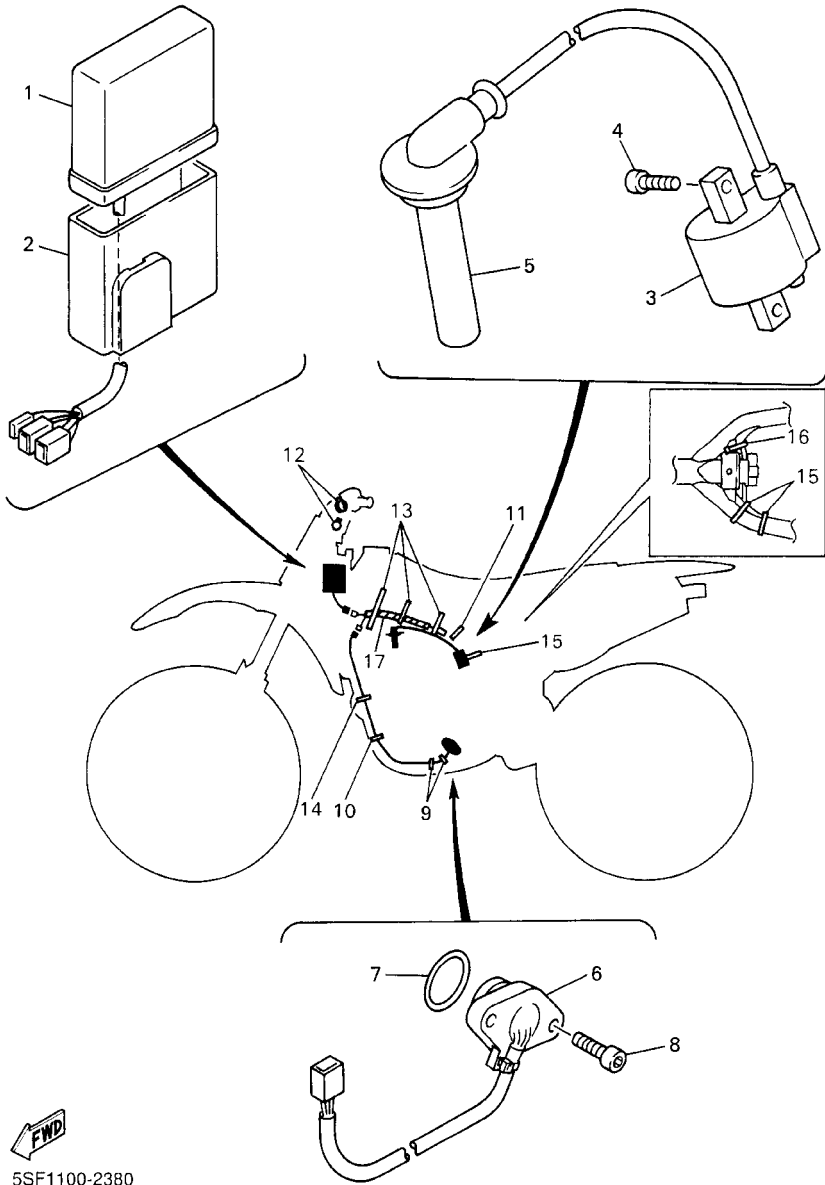
FIG. 37 HANDLE SWITCH. LEVER



REF. NO.	PART NO.	DESCRIPTION	5SF1	5SF2	5SF3	5SF4	REMARKS
1	5HD-82911-00	HOLDER, LEVER 1	1	1	1	1	
2	38V-82913-00	HOLDER, LEVER LOWER 1	1	1	1	1	
3	5MV-83912-00	LEVER 1	1	1	1	1	
4	90109-06027	BOLT	1	1	1	1	
5	95607-06100	NUT, U	1	1	1	1	
6	97007-05016	BOLT	2	2	2	2	
7	5HD-26337-00	BOLT, ADJUSTING	1	1	1	1	
8	5HD-83951-00	BOLT, CABLE ADJUSTING	1	1	1	1	
9	5HD-26372-00	COVER, HANDLE LEVER 1	1	1	1	1	
10	5SF-83976-00	SWITCH, HANDLE 1	1	1	1	1	
11	583-83981-00	LEVER, DECOMPRESSION	1	1	1	1	
12	5BE-83913-00	COLLAR, LEVER 1	1	1	1	1	
13	98907-05020	SCREW, BIND	1	1	1	1	
14	95607-05100	NUT, U	1	1	1	1	
15	5BE-82912-00	HOLDER, LEVER UPPER 1	1	1	1	1	
16	38V-82913-00	HOLDER, LEVER LOWER 1	1	1	1	1	
17	97007-05016	BOLT	2	2	2	2	
18	583-26352-00	COVER, DECOMPRESSION CABLE	1	1	1	1	



5JG1100-0370

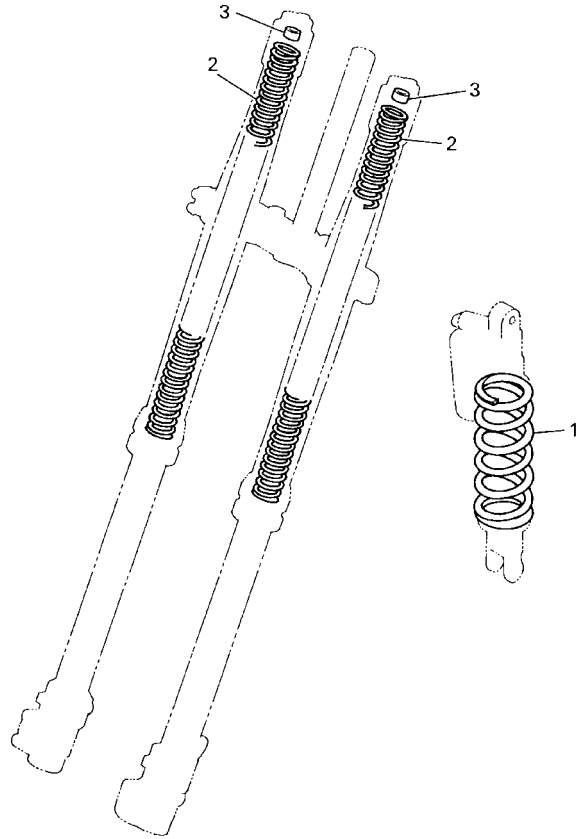



5SF1100-2380

FIG. 38 ELECTRICAL 1

REF. NO.	PART NO.	DESCRIPTION	5SF1	5SF2	5SF3	5SF4	REMARKS
1	5SF-85540-00	C.D.I. UNIT ASSY	1	1	1	1	
2	5BE-85546-00	BAND	1	1	1	1	
3	5BE-82310-00	IGNITION COIL ASSY	1	1	1	1	
4	91317-06016	BOLT	2	2	2	2	
5	5BE-82370-00	PLUG CAP ASSY	1	1	1	1	
6	5SF-82540-00	NEUTRAL SWITCH ASSY	1	1	1	1	
7	93210-21276	O-RING	1	1	1	1	
8	90154-05073	SCREW, BINDING	2	2	2	2	
9	90464-16061	CLAMP	2	2	2	2	
10	90464-13073	CLAMP	1	1	1	1	
11	90464-15195	CLAMP	1	1	1	1	
12	90464-13077	CLAMP	2	2	2	2	
13	90464-15152	CLAMP	3	3	3	3	
14	90464-13073	CLAMP	1	1	1	1	
15	90464-15195	CLAMP	2	2	2	2	
16	90465-13152	CLAMP	1	1	1	1	
17	5SF-82509-00	WIRE, SUB LEAD	1	1	1	1	

FIG. 39 ALTERNATE (CHASSIS)



REF. NO.	PART NO.	DESCRIPTION	5SF1	5SF2	5SF3	5SF4	REMARKS
1	5DH-22212-70	SPRING (K=4.4)	1	1	1	1	AP
	5DH-22212-10	SPRING (K=4.6)	1	1	1	1	AP
	5DH-22212-20	SPRING (K=4.8)	1	1	1	1	AP
	5NG-22212-60	SPRING (K=5.0)	1	1	1	1	AP
	5DH-22212-40	SPRING (K=5.2)	1	1	1	1	AP
	5SF-22212-00	SPRING (K=5.4)	1	1	1	1	AP
	5DH-22212-60	SPRING (K=5.6)	1	1	1	1	AP
	5NG-22212-20	SPRING (K=APPROX.4.6)	1	1	1	1	AP
	5ET-22212-00	SPRING (K=APPROX.4.8)	1	1	1	1	AP
	5ET-22212-10	SPRING (K=APPROX.5.0)	1	1	1	1	AP
	5ET-22212-30	SPRING (K=APPROX.5.2)	1	1	1	1	AP
	5ET-22212-40	SPRING (K=APPROX.5.4)	1	1	1	1	AP
	5NG-22212-50	SPRING (K=APPROX.5.6)	1	1	1	1	AP
2	4SS-23141-10	SPRING, FRONT FORK (K=0.38)	2	2	2	2	AP
	4SS-23141-20	SPRING, FRONT FORK (K=0.39)	2	2	2	2	AP
	4SS-23141-30	SPRING, FRONT FORK (K=0.40)	2	2	2	2	AP
	4SS-23141-40	SPRING, FRONT FORK (K=0.41)	2	2	2	2	AP
	4SS-23141-50	SPRING, FRONT FORK (K=0.42)	2	2	2	2	AP
	4SS-23141-60	SPRING, FRONT FORK (K=0.43)	2	2	2	2	AP
	4SS-23141-70	SPRING, FRONT FORK (K=0.44)	2	2	2	2	AP
	5BE-23141-L0	SPRING, FRONT FORK (K=0.45)	2	2	2	2	AP
	5BE-23141-00	SPRING, FRONT FORK (K=0.46)	2	2	2	2	AP
	5GR-23141-00	SPRING, FRONT FORK (K=0.47)	2	2	2	2	AP
	5ET-23141-20	SPRING (K=APPROX.0.40)	2	2	2	2	AP
	5ET-23141-00	SPRING (K=APPROX.0.41)	2	2	2	2	AP
	5ET-23141-30	SPRING (K=APPROX.0.42)	2	2	2	2	AP
	5ET-23141-10	SPRING (K=APPROX.0.43)	2	2	2	2	AP



5BE100-8390

NUMERICAL INDEX

PART NO.	GRID NO.	PART NO.	GRID NO.	PART NO.	GRID NO.	PART NO.	GRID NO.	PART NO.	GRID NO.	PART NO.	GRID NO.
5NY-W0041-00	E - 5	3FV-12153-00	B - 6	5BE-12576-00	B - 9	5BE-1443E-00	B - 13	3TJ-1494F-18	B - 15	3SP-15621-02	C - 7
4SS-W0042-50	E - 7	3FV-12153-10	B - 6	5BE-12577-01	B - 9	5BE-14449-00	C - 2	3TJ-1494F-19	B - 15	5BE-15651-00	C - 7
5MV-W0045-00	D - 14	3FV-12153-20	B - 6	5BE-12578-00	B - 9	4XM-14451-00	B - 13	3TJ-1494F-20	B - 15	5GR-15664-00	C - 7
5GR-W0046-00	E - 3	3LD-12168-A0	B - 5	5BE-12579-02	B - 9	5JG-14453-00	B - 13	5JG-14940-06	C - 2	5SF-15668-00	C - 7
3JD-W0047-00	D - 14	3LD-12168-F0	B - 5	583-13113-00	C - 6	5BE-14458-00	B - 13	5JG-14940-07	C - 2	5BE-15686-01	C - 7
5ET-W0047-50	E - 3	3LD-12168-H1	B - 5	5BE-13161-01	B - 12	3JD-14459-01	B - 13	5JG-14940-08	C - 2	5JG-16111-00	C - 8
1UY-W0048-50	D - 14	3LD-12168-K1	B - 5	5BE-13171-01	B - 12	5MV-14477-00	B - 13	5JG-14940-17	C - 2	5JG-16150-10	C - 8
	E - 3	3LD-12168-M1	B - 5	5BE-13300-10	B - 10	5JG-14521-00	B - 14	3TJ-14943-47	B - 15	2JN-16154-00	C - 8
4EW-W0057-00	D - 14	3LD-12168-R1	B - 5	1HX-13310-10	B - 10	5JG-14522-00	B - 14	4MX-14943-38	B - 14	3XK-16321-00	C - 8
5ET-W0057-50	E - 3	3LD-12168-U1	B - 5	5BE-13341-00	B - 10	5JG-14531-00	C - 3	4MX-14943-39	B - 15	5JG-16321-00	C - 8
5NY-W2587-01	E - 5	3LD-12168-W1	B - 5	5BE-13342-00	B - 10	3TJ-14536-40	C - 2	4MX-14943-40	B - 15	5JG-16325-00	C - 8
5JG-11102-20	B - 2	3LD-12168-Y1	B - 5	5BE-13411-00	B - 10	5JG-14546-01	B - 14	4MX-14943-41	B - 15	5JG-16351-00	C - 8
4KG-1111G-00	B - 2	3LD-12168-00	B - 5	5BE-13412-00	B - 10	676-14548-00	C - 2	4MX-14943-42	B - 15	5JG-16356-00	C - 8
5BE-11133-10	B - 2	3LD-12168-20	B - 5	5BE-13416-00	B - 10	4YR-14557-00	C - 2	4MX-14943-88	B - 14	5JG-16357-10	C - 8
5BE-11134-10	B - 2	3LD-12168-40	B - 5	1UY-13440-02	B - 12	4FN-14561-00	B - 13	4MX-14943-89	B - 15	5JG-16371-10	C - 8
5BE-11166-00	B - 3	3LD-12168-60	B - 5	5BE-13447-00	B - 12	4MX-14561-00	C - 2	4MX-14943-90	B - 14	5JG-16381-00	C - 8
371-11167-01	B - 3	3LD-12168-80	B - 5	5BE-13464-10	B - 10	6H4-14561-00	C - 2	4MX-14943-91	B - 15	5JG-16383-00	C - 8
5BE-11167-00	B - 2	3LD-12169-E0	B - 6	5BE-13465-10	B - 10	5BE-14562-00	C - 2	4MX-14943-92	B - 15	4JT-16384-00	C - 8
5JG-11181-00	B - 2	3LD-12169-G0	B - 6	5SF-13597-00	B - 13	5JG-14565-00	C - 3	4MX-14943-93	B - 15	5JG-16384-00	C - 8
5BE-11191-00	B - 2	3LD-12169-J0	B - 6	5SF-14101-00	B - 14	5JG-14591-00	C - 3	7A9-14943-27	B - 15	5JG-17121-10	C - 10
5BE-11193-10	B - 3	3LD-12169-L0	B - 6	3TJ-14105-40	B - 15	5JG-14611-00	C - 4	5BE-17131-21	B - 14	5BE-17131-21	C - 10
5JG-11311-00	B - 3	3LD-12169-N0	B - 6	5BE-14107-00	C - 2	3VD-14613-00	C - 4	4MX-14948-01	B - 15	5BE-17141-30	C - 10
5BE-11351-00	B - 3	3LD-12169-T0	B - 6	4MX-14115-00	C - 2	5JG-14628-00	C - 4	4MX-14948-02	B - 15	5BE-17151-00	C - 10
5JG-11387-00	B - 3	3LD-12169-11	B - 5	3TJ-14137-40	C - 3	5JG-1469A-50	C - 4	4MX-14948-03	B - 15	5JG-17211-00	C - 10
5JG-11400-20	B - 4	3LD-12169-31	B - 6	5BE-14146-00	C - 3	5JG-1469A-60	C - 4	4MX-14948-04	B - 15	5JG-17221-10	C - 10
5JG-11412-10	B - 4	3LD-12169-50	B - 6	3TJ-14159-40	B - 14	5BE-1469E-00	C - 4	4MX-14948-05	B - 15	5BE-17231-00	C - 10
5JG-11422-10	B - 4	3LD-12169-70	B - 6	5JG-14171-00	C - 2	3GW-14714-00	C - 4	4MX-14948-06	B - 15	5JG-17241-00	C - 10
5BE-11454-00	B - 4	3LD-12169-90	B - 6	3TJ-14191-40	C - 3	5BE-14747-00	C - 4	4MX-14948-07	B - 15	5BE-17251-10	C - 10
5BE-11455-00	B - 4	5BE-12170-10	B - 7	5JG-14196-00	C - 3	5JG-14753-50	C - 4	5JG-14951-00	B - 14	5JG-17411-00	C - 10
5BE-11531-00	B - 4	5BE-12180-01	B - 7	5JG-14197-00	C - 3	5JG-14753-60	C - 4	5JG-14959-00	B - 14	5BE-17421-00	C - 10
5JG-11536-00	B - 4	5BE-12210-00	B - 7	4YR-14216-00	C - 2	4BD-14766-00	C - 4	5JG-14984-00	C - 2	5BE-17466-10	C - 5
5JG-11603-00	B - 4	4FM-12213-00	B - 7	5BE-14216-00	C - 2	5BE-14788-00	C - 4	4SR-14985-00	C - 2	4L0-17471-00	C - 5
5NG-11631-10	B - 4	5BE-12241-00	B - 7	5JG-14264-00	B - 14	5JG-14916-JL	B - 14	5JG-14987-00	C - 3	5GR-17471-00	C - 11
5JG-11633-00	B - 4	5BE-12251-10	B - 7	3TJ-14267-40	B - 14	5JG-14916-JM	B - 14	4FN-14997-00	B - 14	3XK-18101-02	C - 13
5JG-11651-10	B - 4	5BE-12252-00	B - 7	5JG-14275-00	B - 14	5JG-14916-JN	B - 14	5SF-15150-00	C - 5	5BE-18110-00	C - 13
5BE-11681-00	B - 4	5BE-12280-10	B - 7	3TJ-14293-40	C - 2	5JG-14916-JP	B - 14	5SF-15362-00	C - 15	5LP-18122-00	C - 13
5JG-12111-00	B - 5	5NL-12283-00	B - 7	5JG-14293-01	B - 13	5JG-14916-JR	B - 14	4JT-15381-01	C - 5	3XK-18140-00	C - 12
5JG-12112-00	B - 5	5BE-12292-10	B - 7	3TJ-14325-40	C - 2	5JG-14916-JS	B - 14	5BE-15383-01	C - 5	5BE-18172-00	C - 13
5JG-12113-00	B - 5	5JG-1240A-00	B - 9	5JG-14346-00	C - 3	5JG-14916-J1	B - 14	5BE-15411-00	C - 6	3XJ-18173-00	C - 13
5JG-12114-00	B - 5	5BE-12422-10	B - 8	5JG-14371-00	C - 2	5JG-14922-00	C - 2	5JG-15415-00	C - 6	3XJ-18178-00	C - 13
4GY-12117-00	B - 5	5BE-12439-00	B - 8	5JG-14379-00	C - 2	3TJ-14933-40	C - 2	5BE-15421-00	C - 5	3XJ-18182-00	C - 13
5BE-12117-00	B - 5	5DJ-12451-00	B - 8	5JG-14388-00	B - 14	4FN-14934-00	C - 2	5JG-15431-00	C - 6	3XJ-18184-00	C - 13
1AA-12118-00	B - 5	5GR-12458-00	B - 8	5JG-1440F-01	B - 13	3TJ-1494F-12	B - 15	5JG-15441-01	C - 5	4EW-18185-00	C - 13
1WG-12118-00	B - 5	5JG-12461-00	B - 9	5JG-14401-00	B - 13	3TJ-1494F-13	B - 15	5BE-15451-00	C - 6	5BE-18501-20	C - 12
33M-12119-00	B - 5	5HD-12462-00	B - 9	5BE-1441A-10	B - 13	3TJ-1494F-14	B - 15	5JG-15453-00	C - 6	5BE-18502-20	C - 12
4SV-12119-00	B - 5	5BE-12481-10	B - 9	5BE-1441E-10	B - 13	3TJ-1494F-15	B - 15	5BE-15462-00	C - 6	5BE-18503-20	C - 12
5JG-12121-00	B - 5	5BE-12482-00	B - 9	5JG-14417-00	B - 13	3TJ-1494F-16	B - 15	5GR-15601-00	C - 7	5JG-18541-00	C - 12
3GM-12126-00	B - 5	5BE-12564-00	B - 8	5JG-14428-00	B - 13	3TJ-1494F-17	B - 15	5BE-15620-02	C - 7	4BA-18542-00	C - 12

NUMERICAL INDEX

PART NO.	GRID NO.	PART NO.	GRID NO.	PART NO.	GRID NO.	PART NO.	GRID NO.	PART NO.	GRID NO.	PART NO.	GRID NO.
5DH-18562-00	C - 5	5SF-22201-40	D - 6	5ET-23125-L0	D - 10	5MV-23195-L0	D - 10	3JE-25394-00	D - 15	5BE-26281-00	E - 4
5SF-21101-00	C - 14	5SF-22210-00	D - 6	5HD-23136-L0	D - 9	5HC-2331E-00	D - 10	5SF-25394-00	D - 15	5BE-26282-00	E - 4
5BE-2117M-01	E - 7	5SF-22210-10	D - 6	5DH-2314E-00	D - 14	5NX-23340-L0	D - 10	5ET-25447-00	D - 15	5SF-26287-00	E - 4
5SF-21190-00	C - 14	5SF-22210-20	D - 6	5DH-2314F-L0	D - 10	4SS-23346-L0	D - 10	5NY-25448-00	D - 15	5SF-26302-00	E - 4
5HD-2135F-00	D - 5	5SF-22210-30	D - 6	4SS-2314G-L0	D - 10	5NY-23346-L0	D - 10	5NY-25449-00	D - 15	5SF-26335-00	E - 4
5NY-2135F-00	D - 5	5SF-22210-40	D - 6	5DH-2314H-00	D - 10	3SP-23356-L0	D - 10	5NY-25450-00	D - 15	5HD-26337-00	E - 9
5BE-21417-00	C - 15	5DH-22212-10	E - 11	5DH-2314J-00	D - 10	4SS-23364-L0	E - 12	5NY-25451-00	E - 2	5HD-26342-00	E - 4
5BE-21425-01	C - 14	5DH-22212-20	E - 11	4SS-23141-10	E - 11	4DA-23389-00	D - 8	5NY-25452-00	E - 2	583-26352-00	E - 9
5GR-21425-01	C - 14	5DH-22212-40	E - 11	4SS-23141-20	E - 11	5HD-2339E-00	D - 8	8CR-25715-00	E - 5	5HD-26372-00	E - 9
5BE-2147A-00	C - 15	5DH-22212-60	E - 11	4SS-23141-30	E - 11	5HD-23393-L0	D - 9	5DH-25718-01	E - 3	5NY-26372-00	E - 5
5BE-21471-00	C - 15	5DH-22212-70	E - 11	4SS-23141-40	E - 11			5MV-2580T-10	D - 14	4XM-27200-00	E - 6
5HD-21511-00	D - 2	5ET-22212-00	E - 11	4SS-23141-50	E - 11	4EW-23416-00	D - 8	5NY-2580W-00	E - 3	5JG-27217-00	E - 6
4XL-2153A-10	D - 10	5ET-22212-10	E - 11	4SS-23141-60	E - 11	5NL-23435-00	D - 8	5MV-2581T-00	D - 14	3SP-27222-00	E - 7
4ES-2153E-01	D - 2	5ET-22212-30	E - 11	4SS-23141-70	E - 11	3SP-23441-00	D - 8	4ML-2582A-50	E - 7	5ET-27311-00	E - 6
3FY-21575-01	D - 3	5ET-22212-40	E - 11	5BE-23141-L0	D - 10	5HD-23485-00	D - 8	5NY-2582W-00	E - 3	5ET-27411-00	E - 6
5BE-21611-10	D - 2					5JG-24110-50	D - 11	5DH-25827-50	E - 3	5ET-27421-00	E - 6
5SF-2163G-00	D - 2	5NG-22212-20	E - 11			4EW-2412F-00	D - 11	5DH-25828-50	E - 3	4GY-27491-00	E - 3
5BE-21642-00	D - 2	5NG-22212-50	E - 11	5BE-23141-00	E - 11	24X-24144-00	D - 11	5JG-2583V-00	E - 7	5BE-2814F-00	C - 15
5BE-21711-00	D - 3	5NG-22212-60	E - 11	5ET-23141-00	E - 11	5SF-24173-00	D - 11	5MV-25833-00	E - 5	5ET-28166-00	C - 15
5JG-2172A-10	D - 3	5SF-22212-00	D - 6	5ET-23141-10	E - 11	22W-24181-00	C - 4	5BE-25844-01	E - 7	5BE-82310-00	E - 10
5BE-21721-00	D - 3			5ET-23141-20	E - 11	4SS-24181-00	D - 11	5BE-82370-00	E - 7	5BE-82370-00	E - 10
5SF-2173E-01	D - 3	3SP-22213-00	D - 6	5ET-23141-30	E - 11	5BE-24182-00	D - 11	5MV-25852-01	E - 5	5SF-82509-00	E - 10
5SF-2173F-01	D - 3	5DH-22214-00	D - 6	5ET-23141-40	E - 12	3JD-24186-00	D - 11	56A-25854-00	E - 5	5SF-82540-00	E - 10
5JG-21731-01	D - 3	5MV-22224-00	D - 6	5GR-23141-L0	D - 9	5SF-24240-01	D - 11			5HD-82911-00	E - 9
5SF-2174A-00	D - 3	4JX-22226-00	D - 6			3XJ-24380-00	D - 11	2VN-25866-00	E - 7	5BE-82912-00	E - 9
5JG-21741-01	D - 3	3SP-22234-00	D - 6	5GR-23141-00	E - 11	4DP-24500-00	D - 11	5MV-25867-00	E - 5	38V-82913-00	E - 9
3JD-21748-00	D - 2	5NY-22241-00	D - 7	5DH-23142-L0	D - 9	4X8-24512-00	D - 11	5NY-25868-00	E - 5	5MV-83912-00	E - 9
5MV-2175C-00	D - 3	5DH-22253-00	D - 6			3AJ-24523-00	D - 11	5ET-25872-00	E - 5	5BE-83913-00	E - 9
5BE-21756-00	C - 14	5MV-22253-00	D - 6	5HD-23144-L0	D - 9	3AJ-24534-00	D - 11	5MV-25873-00	E - 7	5MV-83922-00	E - 5
5JG-21781-50	D - 3	5NY-22355-00	D - 4			5MV-24610-00	D - 11	5DH-25875-00	D - 14	5HD-83951-00	E - 9
5NY-22110-00	D - 4	3V6-22358-00	D - 11	5ET-23145-L0	D - 9	5SF-24710-00	D - 12	2VM-25876-00	E - 7	5SF-83976-00	E - 9
5NY-22121-00	D - 4	4EW-22474-00	D - 6			5BE-24728-00	D - 12	3FV-2589A-00	E - 7	583-83981-00	E - 9
5NY-22122-00	D - 5	3JE-22475-00	D - 6	4SS-23146-L0	D - 9	5SF-24731-00	D - 12	5MV-2589F-00	E - 5	5SF-85540-00	E - 10
4XM-22128-00	D - 4	5NY-22475-00	D - 6			5NY-25104-00	D - 13	5BE-25894-00	E - 7	5BE-85546-00	E - 10
5NY-22141-00	D - 4	5GR-22898-50	E - 3	5DH-23149-L0	D - 9	5NY-25111-00	D - 13	5BE-25895-00	E - 7	5JG-85550-11	E - 8
5MV-22151-00	D - 4	5SF-23102-00	D - 9			5NY-25117-00	D - 13	3SP-25914-51	D - 14	5SF-85560-00	E - 8
5JG-22156-00	D - 4	5SF-23102-10	D - 9	4SS-23153-L0	D - 9	5BE-25181-00	D - 13	5DH-25916-00	D - 14	5JG-85885-00	C - 2
5NY-2217A-00	D - 4	5SF-23103-00	D - 9			5NY-25183-00	D - 13			9Y581-92113	E - 2
5NY-2217F-00	D - 5	5SF-23103-10	D - 9	4SS-23158-L0	D - 9	5NY-25186-00	D - 13	5DH-25919-00	D - 14	90101-06001	C - 7
5MV-22176-00	D - 6	5BF-23110-L0	D - 9			5HD-25304-00	D - 15	5DH-25919-50	E - 3	90101-06664	C - 13
3JD-22178-10	C - 14	5NY-23111-L0	D - 9	5SF-2316A-00	D - 9	5ET-25311-00	D - 15	8CR-25924-00	E - 3	90101-08777	E - 2
4EW-22178-00	C - 14					5ET-25317-00	D - 15	3SP-25926-51	D - 14	90105-06027	B - 2
5MV-22184-00	D - 6	5DH-23118-L0	D - 9	5SF-23170-00	D - 9	4XM-25364-00	D - 15	5DH-25933-00	D - 14	90105-065A1	C - 6
4XM-22199-00	D - 4					5ET-25367-00	E - 2	4XM-26111-00	E - 4	90105-06553	C - 5
5SF-22201-00	D - 6	3JD-2312G-L0	D - 9	5ET-23171-L0	D - 9	5ET-25381-00	E - 2	5BE-26240-00	E - 4		C - 11
5SF-22201-10	D - 6			5DH-23183-00	D - 6	5NY-25383-00	E - 2	4GY-26241-00	E - 4		D - 2
5SF-22201-20	D - 6	5DH-23120-L0	D - 9	509-23184-L0	D - 6	5NY-25388-00	E - 2	4GY-26242-00	E - 4		E - 7
5SF-22201-30	D - 6	5ET-23125-L0	D - 9	5MV-23195-L0	D - 9	5NY-25389-00	E - 2	3Y1-26249-00	E - 4		D - 2

NUMERICAL INDEX

PART NO.	GRID NO.	PART NO.	GRID NO.	PART NO.	GRID NO.	PART NO.	GRID NO.	PART NO.	GRID NO.	PART NO.	GRID NO.
90105-08099	C - 14	90185-08169	C - 14	90267-32070	B - 13	90464-13077	E - 10	91812-16001	C - 6	93306-90403	D - 13
90105-08659	D - 14		E - 2	90267-48121	C - 4	90464-15152	E - 10	92014-06016	E - 7	93306-90501	C - 12
90105-08752	C - 7	90185-10002	C - 14	90280-03001	B - 4	90464-15195	E - 10	92017-08055	C - 14	93310-634B0	B - 4
90105-10323	D - 6	90185-10060	D - 7	90338-16148	C - 14	90464-16061	E - 10	92907-06100	D - 12	93311-62574	B - 4
90105-104A7	B - 2	90185-14007	D - 5	90340-12059	C - 5	90465-08029	C - 6	92907-06600	B - 7	93315-32053	D - 5
90105-106A3	B - 2	90185-16127	D - 4	90340-12112	B - 2	90465-13152	E - 10	92907-08200	D - 14	93315-32056	D - 4
90105-10733	C - 14	90185-20168	E - 2	90340-12144	C - 5	90465-16258	E - 5	93101-14164	C - 6	93317-11287	C - 8
90109-06027	E - 9	90201-03313	B - 13	90340-14128	C - 6	90467-09006	B - 9	93102-12106	B - 8	93317-22262	D - 4
90109-063F8	C - 12	90201-06071	B - 9	90340-32123	C - 6	90467-10008	D - 11		C - 13	93332-00068	D - 8
90109-06418	B - 7	90201-06557	D - 2	90387-06009	D - 2	90467-11106	B - 3	93102-12224	B - 7	93332-00081	D - 8
90109-065G2	B - 12	90201-08089	E - 6	90387-0614M	B - 9	90467-12085	E - 7		C - 8	93340-21505	C - 8
90109-065G4	E - 3	90201-081R9	C - 4	90387-0701A	D - 2	90467-14015	B - 3	93102-20108	C - 7	93342-22217	D - 4
90109-066F0	B - 2	90201-08326	E - 2	90387-0814J	C - 4	90467-17089	B - 13	93102-26468	D - 13	93410-20038	C - 7
90109-081G1	E - 2	90201-08410	C - 2	90387-086N4	C - 14	90468-16191	E - 6	93102-32480	C - 10	93420-19084	B - 4
90110-08096	C - 14	90201-08512	B - 8	90387-124F4	C - 13	90480-08608	E - 2	93106-22019	D - 4	93440-10085	B - 10
90119-05071	D - 8	90201-086P8	C - 14	90387-16005	D - 4	90480-15528	B - 9	93106-30044	D - 15		C - 8
90119-06096	D - 2	90201-087A9	C - 7	90387-16007	D - 4	90480-18549	D - 11	93106-30045	D - 15	93440-10153	B - 2
90119-06214	D - 11	90201-101A4	B - 2	90387-167Y9	D - 4	90501-043E0	C - 6	93109-11073	B - 8	93440-25084	C - 10
90119-08238	D - 3	90201-101J1	E - 8	90387-18004	D - 4	90501-052G5	C - 13	93109-20076	D - 4	93440-28062	C - 10
90122-06035	B - 13	90201-10118	E - 5	90387-18005	D - 4	90501-06022	C - 12		D - 5	93440-41178	B - 7
90149-06011	D - 11		E - 7	90387-18006	C - 5	90501-13720	C - 7	93109-28043	D - 4	93501-04011	C - 7
90149-06126	C - 5	90201-10119	E - 6	90387-2113G	C - 10	90501-16016	C - 7	93210-07003	B - 12	93503-08007	C - 6
90149-06250	B - 4	90201-12166	B - 10	90387-225N2	E - 4	90501-237L0	C - 8	93210-07135	B - 12	93511-32027	C - 8
90149-06324	E - 8	90201-125L6	C - 8	90387-2513F	C - 10	90506-16500	E - 6	93210-09008	B - 12	93603-17070	B - 10
90149-06326	C - 5	90201-14740	D - 5	90401-08038	B - 12	90508-142B5	C - 9	93210-10197	B - 10	93604-10011	B - 8
90149-06327	D - 14	90201-15701	C - 6	90401-10159	B - 12	90508-162B2	B - 7		C - 5	93608-33002	C - 13
90151-04048	D - 4	90201-160F6	D - 4	90401-10172	E - 5	90508-26561	C - 12	93210-11073	E - 6	93612-16254	B - 3
90152-06010	C - 7	90201-162H4	C - 7		E - 7	90508-282B8	E - 6	93210-12759	B - 12	9383E-14215	C - 11
90154-05073	E - 10	90201-167P7	C - 7	90430-06014	B - 7	90508-282B9	E - 6	93210-14369	C - 6	94108-21008	D - 13
90157-05095	E - 7	90201-20276	C - 7		B - 8	90508-291A8	C - 13	93210-15620	E - 7	94108-2110Y	D - 13
90157-08028	C - 15	90201-203U1	E - 2	90430-08119	B - 12	90508-30743	C - 7	93210-16500	B - 9	94108-2112Y	D - 13
90159-06078	D - 3	90201-20685	C - 7		C - 14	91A20-05065	B - 9	93210-19123	C - 15	94111-19008	D - 15
90159-06092	C - 8	90201-247L2	D - 8	90430-10188	B - 12	91314-06030	B - 10	93210-19216	C - 7	94111-1911B	D - 15
90159-06182	D - 3	90201-253K0	C - 10	90430-12213	C - 5	91316-04008	B - 14	93210-19758	B - 8	94111-1913A	D - 15
90170-14171	B - 4	90201-286K9	D - 8	90430-18130	C - 14	91316-04012	B - 14	93210-21276	E - 10	94209-21229	D - 13
90170-20327	C - 8	90202-05193	D - 11	90445-09104	D - 11	91317-05008	D - 4	93210-22164	C - 10	94211-19273	D - 15
90170-24373	D - 8	90202-08045	B - 14	90445-09220	D - 11	91317-05014	B - 13	93210-32172	C - 6	94211-19274	D - 15
90179-06500	B - 3	90202-08204	C - 15	90445-11002	D - 11	91317-06014	E - 5	93210-47675	B - 12	94227-21101	D - 13
90179-06568	D - 4	90206-06090	C - 4	90445-112K0	B - 3	91317-06016	E - 10	93300-60804	C - 14	94309-21161	D - 13
90179-08270	B - 3	90209-06096	B - 13	90450-22017	B - 10	91317-06025	B - 10	93306-00105	B - 8	94311-19155	D - 15
90179-08299	E - 2	90209-21332	C - 10	90450-25037	B - 9	91317-06040	C - 5	93306-00426	C - 10	94321-19157	D - 15
90179-10247	E - 8	90209-26348	C - 10	90450-28014	B - 9	91317-06050	C - 5	93306-00431	C - 10	94330-21084	D - 13
90179-16672	D - 13	90215-14204	B - 4	90450-57092	B - 13	91317-06060	C - 5	93306-07202	D - 15	94416-21003	D - 13
90179-20001	C - 8	90215-20231	C - 8	90450-59001	B - 13	91317-06075	C - 5	93306-20335	B - 4	94421-19602	D - 15
	C - 11	90215-21001	C - 8	90450-61001	B - 13	91317-08020	C - 4	93306-20532	C - 10	94591-50120	B - 7
90179-28650	D - 8		C - 11	90461-10136	C - 5	91401-20012	E - 6	93306-20593	C - 10	94681-68001	E - 2
90183-06023	B - 13	90240-08120	E - 6	90462-10241	C - 6	91401-25015	E - 6	93306-27205	D - 15	94701-00318	B - 2
	D - 2	90240-10142	E - 6	90464-13073	E - 10	91808-16023	B - 2	93306-30633	B - 4	94701-00319	B - 2

NUMERICAL INDEX

PART NO.	GRID NO.	PART NO.	GRID NO.	PART NO.	GRID NO.	PART NO.	GRID NO.	PART NO.	GRID NO.
94701-00329	B - 2	95817-10050	C - 14						
94701-00330	B - 2	95817-10160	C - 14						
94703-00318	B - 2	95827-06010	B - 9						
94703-00319	B - 2	95827-06012	D - 14						
94703-00329	B - 2	95827-06014	B - 7						
94703-00330	B - 2	95827-06016	D - 3						
95024-06020	B - 11	95827-08012	C - 14						
95027-06010	C - 8	97007-05016	E - 9						
	D - 4	97007-06012	D - 12						
95027-06012	B - 9	97027-06016	B - 7						
	B - 12	97707-60016	D - 2						
	B - 13	97801-03008	D - 11						
	E - 3	98507-05020	E - 4						
95027-06014	D - 8	98507-06025	C - 5						
95027-06016	D - 11	98706-04012	E - 5						
	E - 3	98706-04040	E - 7						
95027-06020	B - 12	98707-06025	D - 11						
	C - 13	98907-05020	E - 9						
95027-06025	B - 7	98907-06020	D - 11						
	B - 8	98980-06008	C - 4						
	B - 9	99001-08600	B - 10						
	B - 10	99009-12400	B - 10						
	B - 11	99009-16400	C - 7						
95027-06030	C - 6	99009-20400	C - 7						
95027-06040	B - 3	99009-22500	C - 6						
	C - 6	99009-45500	D - 15						
95027-06050	D - 4	99244-00200	D - 5						
95027-06065	B - 12	99530-08012	B - 10						
95027-08012	C - 15	99530-08016	C - 6						
95027-08020	D - 14	99530-10114	B - 10						
95027-08035	D - 8		C - 5						
95027-08040	C - 14	99530-10116	C - 5						
	D - 8	99530-14016	C - 5						
95027-08065	C - 14								
95301-08700	E - 7								
95607-05100	B - 13								
	E - 9								
95607-06100	E - 9								
95607-10200	D - 7								
95617-06635	B - 2								
95617-08620	B - 2								
95617-08635	B - 2								
95701-06500	E - 5								
95707-08500	B - 2								
	C - 14								
95817-08016	C - 4								
	C - 15								
95817-08030	C - 4								

CONTENTS

ENGINE

CYLINDER	B2
CRANKSHAFT. PISTON	B4
VALVE	B5
CAMSHAFT. CHAIN	B7
WATER PUMP	B8
RADIATOR. HOSE	B9
OIL PUMP	B10
OIL CLEANER	B12
INTAKE	B13
CARBURETOR	B14
EXHAUST	C4
CRANKCASE	C5
CRANKCASE COVER 1	C6
STARTER	C7
CLUTCH	C8
TRANSMISSION	C10
SHIFT CAM. FORK	C12
SHIFT SHAFT	C13

CHASSIS

FRAME	C14
FENDER	D2
SIDE COVER	D3
REAR ARM	D4
REAR SUSPENSION	D6
STEERING	D8
FRONT FORK	D9
FUEL TANK	D11
SEAT	D12
FRONT WHEEL	D13
FRONT BRAKE CALIPER	D14
REAR WHEEL	D15

REAR BRAKE CALIPER	E3
STEERING HANDLE. CABLE	E4
FRONT MASTER CYLINDER	E5
STAND. FOOTREST	E6
REAR MASTER CYLINDER	E7
GENERATOR	E8
HANDLE SWITCH. LEVER	E9
ELECTRICAL 1	E10
ALTERNATE (CHASSIS)	E11